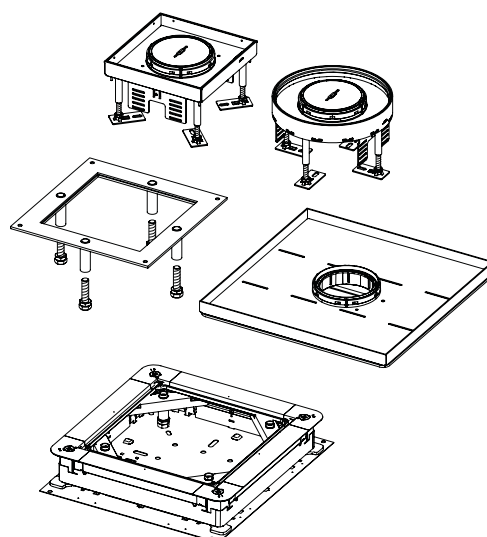


Heavy-duty system



Mounting instructions



Building Connections

Heavy-duty system

Mounting instructions

Table of contents

1	About these instructions5
1.1	Target group	5
1.2	Relevance of these instructions	5
1.3	Types of safety information	5
1.4	Applicable documents	6
1.5	Basic standards and regulations	6
2	Safety7
2.1	General safety information	7
2.2	Personal protective equipment	7
3	Information on the product7
3.1	Correct use	7
3.2	Product description	8
3.2.1	Heavy-duty support	8
3.2.2	Heavy-duty mounting lid/height-adjustment unit	8
3.2.3	Square cassette	9
3.2.4	Round heavy-duty cassette	10
3.2.5	Heavy-duty frame cassette	11
4	Mounting heavy-duty supports	11
4.1	Preparations for mounting	11
4.2	Mounting the heavy-duty support	12
5	Mounting the heavy-duty mounting lid/height-adjustment unit	13
5.1	Mounting height-adjustment units	13
5.2	Heavy-duty mounting lid	14
6	Mounting heavy-duty cassettes	17
6.1	Mounting square heavy-duty cassettes	17
6.1.1	Mounting the cassette	20
6.1.2	Maintaining the cassette	26
6.2	Mounting round heavy-duty cassettes	27
6.2.1	Preparations for mounting	27
6.2.2	Mounting the cassette	28
6.2.3	Maintaining the cassette	33
7	Mounting the heavy-duty frame cassette	34
8	Dismantling the heavy-duty system	38
8.1	Dismantling cassettes	38

9	Disposing of the heavy-duty system	39
10	Technical data	39

1 About these instructions

1.1 Target group

These instructions are intended for the following target groups:

- Trained electrical specialists charged with mounting the heavy-duty system
- Electrical planners and engineers charged with the planning of underfloor systems

Electrical work may only be carried out by specialist personnel with electrical training.



1.2 Relevance of these instructions

- These instructions are based on the standards valid at the time of compilation (März 2022).
- All the documents supplied with the product must be stored in an easily accessible location, so as to be available when information is required.
- We will not accept any warranty claims for damage caused through non-observance of these instructions.
- Any images are intended merely as examples. Mounting results may look different.
- To find out more about planning and mounting the product, we recommend a comprehensive training course.

1.3 Types of safety information



Type of risk!

Shows a risky situation. If the safety instruction is not observed, then serious or fatal injuries may occur.



Type of risk!

Shows a risky situation. If the safety instruction is not observed, then medium or minor injuries may occur.

ATTENTION

Type of risk!

Shows a hazardous situation. If the safety instruction is not observed, then damage to the product or the surroundings may occur.

Note!

Indicates important information or assistance.

1.4 Applicable documents

- Declarations of conformity

1.5 Basic standards and regulations

- DIN EN 50085-1: Electrical installation duct systems for electrical installations – Part 1: General requirements
- DIN EN 50085-2-2: Electrical installation duct systems for electrical installations – Part 2-2: Particular requirements for cable trunking systems and cable ducting systems intended for mounting underfloor, flushfloor or onfloor.

2 Safety

2.1 General safety information

Observe the following general safety information:

- Contact with electrical current can lead to an electric shock.
- Electrical work may only be carried out by specialist personnel with electrical training.
- Risk of cutting from plate edges

2.2 Personal protective equipment

- Protective gloves
- Safety shoes

3 Information on the product

3.1 Correct use

The heavy-duty systems are used for the reliable support of power, data and multimedia technology. The heavy-duty systems are designed for high load requirements.

3.2 Product description

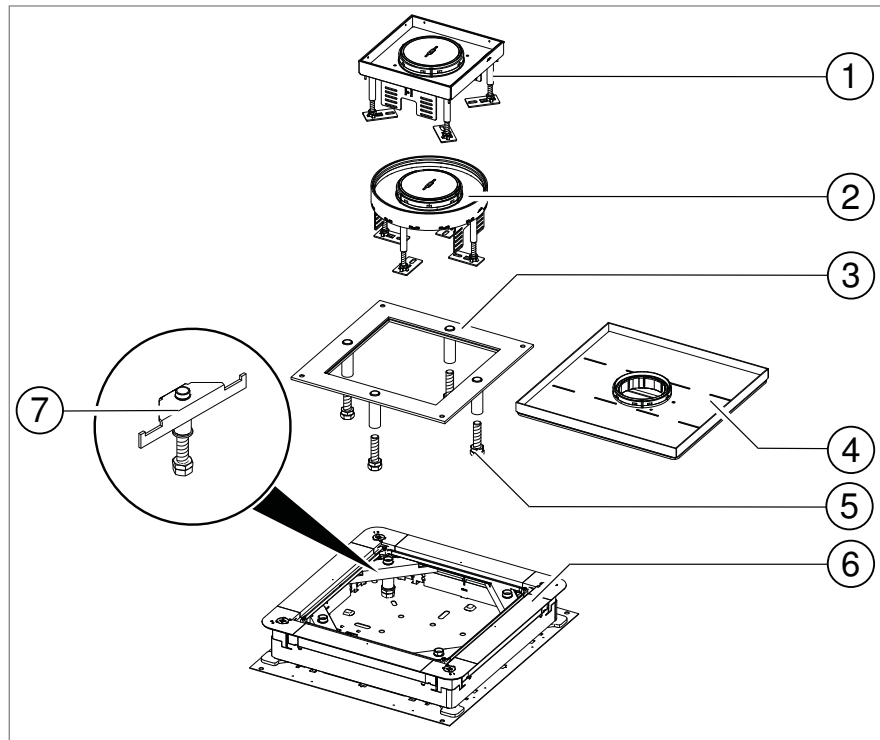


Fig. 1: Product description, heavy-duty system

The heavy-duty system consists of:

- ① Square heavy-duty cassette
- ② Round heavy-duty cassette
- ③ Heavy-duty mounting lid
- ④ Heavy-duty frame cassette
- ⑤ Height-adjustment unit
- ⑥ Underfloor socket
- ⑦ Heavy-duty support

3.2.1 Heavy-duty support

Heavy-duty support for reinforcing the corner areas of the underfloor socket in the case of increased load requirements.

3.2.2 Heavy-duty mounting lid/height-adjustment unit

The heavy-duty mounting lids are suitable for the installation of square/round heavy-duty cassettes.

The height-adjustment units rated for the heavy-duty mounting lids are designed for increased load requirements and permit a screed-flush height adjustment of the heavy-duty mounting lid.

3.2.3 Square cassette

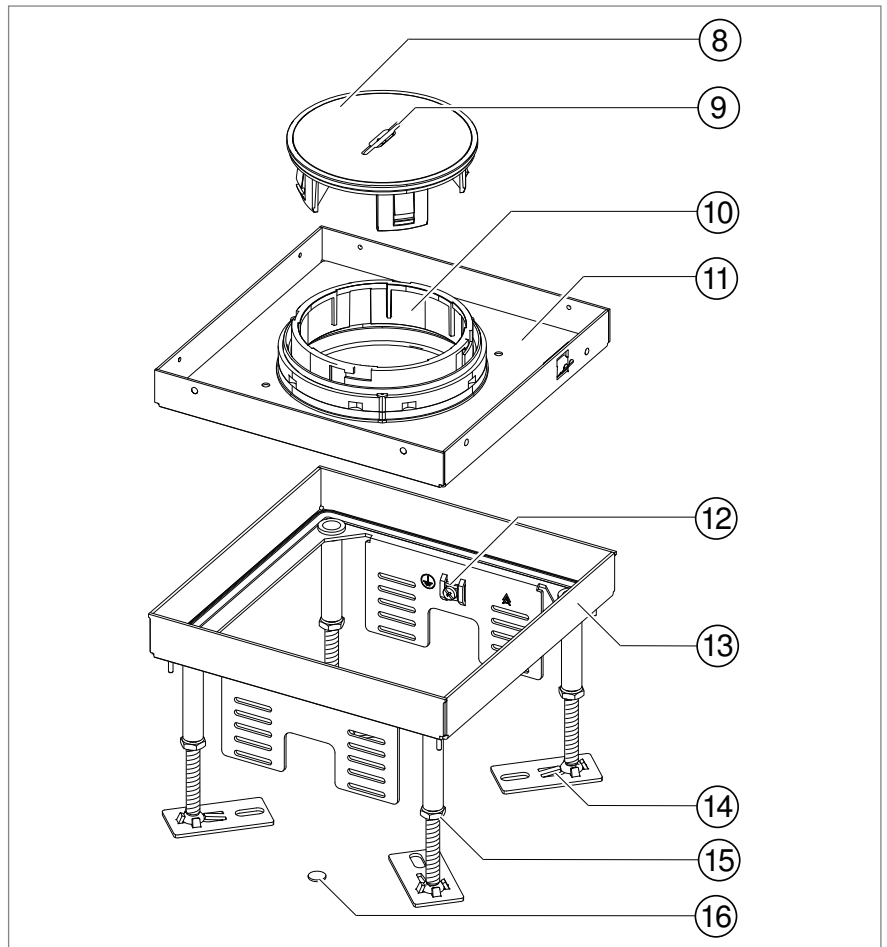


Fig. 2: Product description, square cassette

Note! *The RKNSL variant does not possess a tube body. The tube body must be ordered separately.*

- ⑧ Tube body (item no. 7428140, 7428141, 7428142)
- ⑨ Handle
- ⑩ Cable outlet
- ⑪ Cassette cover
- ⑫ Earthing connection
- ⑬ Cassette frame
- ⑭ Height-adjustment feet
- ⑮ Locking nut
- ⑯ Sealing plug

Square heavy-duty cassette (for tube body) of nominal size 4/9 for tube body for installation of accessories in dry or wet-cleaned floors. Load class: 1 to 10 kN.

3.2.4 Round heavy-duty cassette

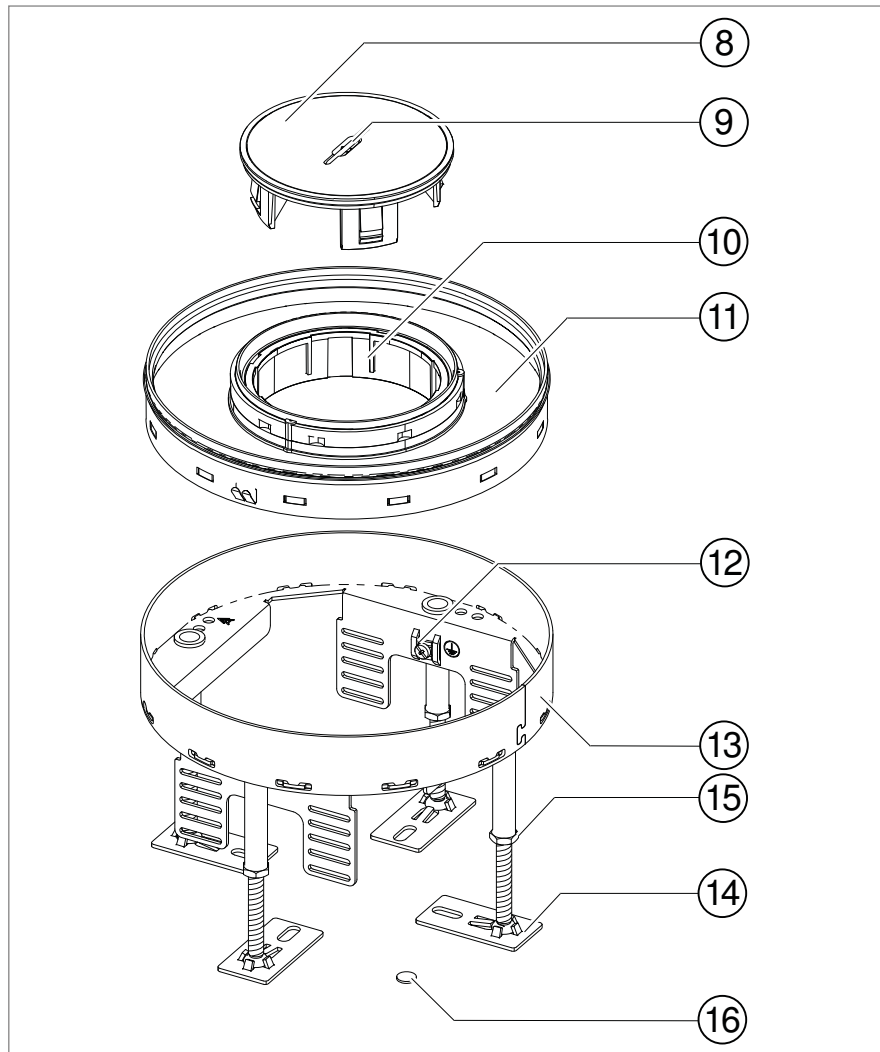


Fig. 3: Product description, round cassette

Note! *The RKRSL variant does not possess a tube body. The tube body must be ordered separately.*

- ⑧ Tube body (item no. 7428140, 7428141, 7428142)
- ⑨ Handle
- ⑩ Cable outlet
- ⑪ Cassette cover
- ⑫ Earthing connection
- ⑬ Cassette frame
- ⑭ Height-adjustment feet
- ⑮ Locking nut
- ⑯ Sealing plug

Round heavy-duty cassette (for tube body) of nominal size R4/7/9 for tube body for installation of accessories in dry or wet-cleaned floors. Load class: 2 to 20 kN.

3.2.5 Heavy-duty frame cassette

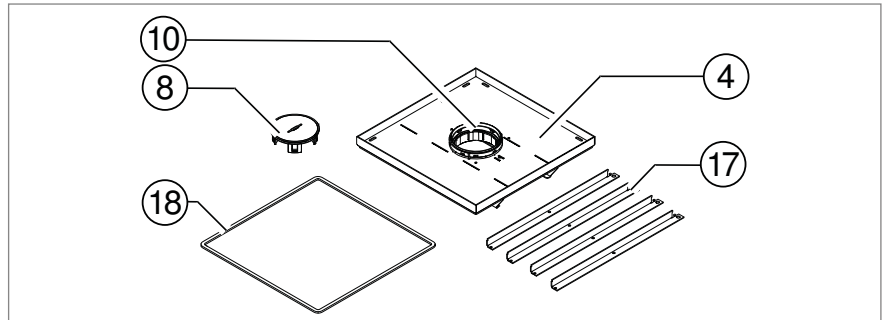


Fig. 4: Product description, heavy-duty frame cassette

Note! *The RKSL variant does not possess a tube body. The tube body must be ordered separately.*

- ④ Heavy-duty frame cassette
- ⑰ Cassette frame profile
- ⑱ Seal
- ⑧ Tube body
- ⑩ Cable outlet

Heavy-duty frame cassette (with tube body) in nominal size 288 x 288 or 388 x 388 mm for the installation of accessories in dry or wet-cleaned floors. Load class: 1 to 10 kN or 2 to 20 kN.

4 Mounting heavy-duty supports

4.1 Preparations for mounting

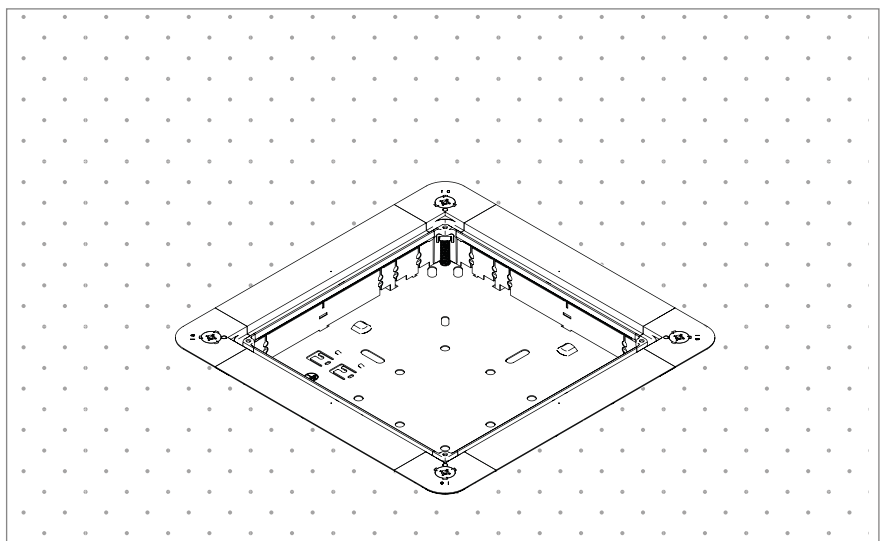


Fig. 5: Fully mounted underfloor socket

1. Adjust the height of the underfloor socket ⑥ to the height of the screed.

2. Apply the screed.

4.2 Mounting the heavy-duty support

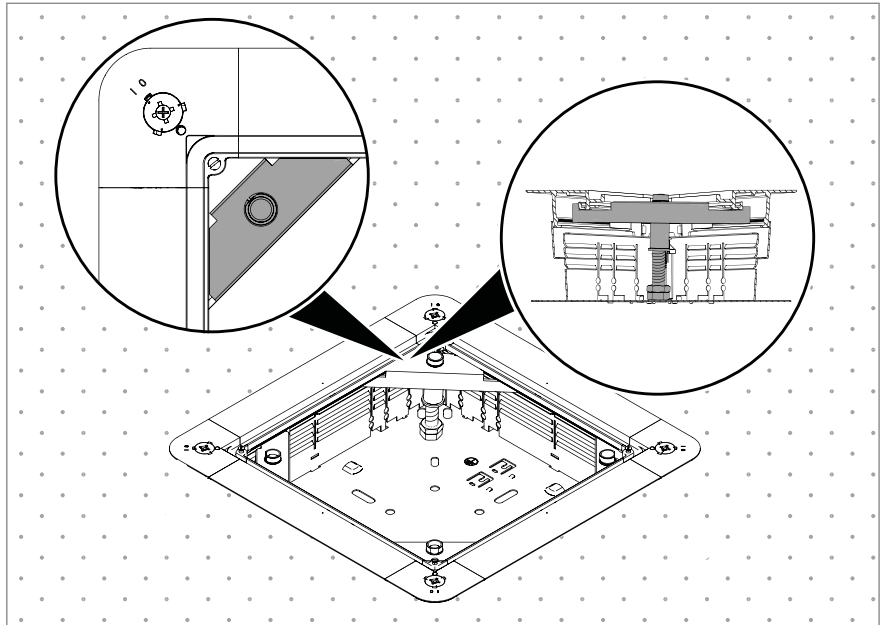


Fig. 6: Inserting the heavy-duty support

3. Insert the heavy-duty support ⑦ in the underfloor socket ⑥. In so doing, ensure that the edge of the underfloor socket ⑥ runs in the recesses of the heavy-duty support ⑦.

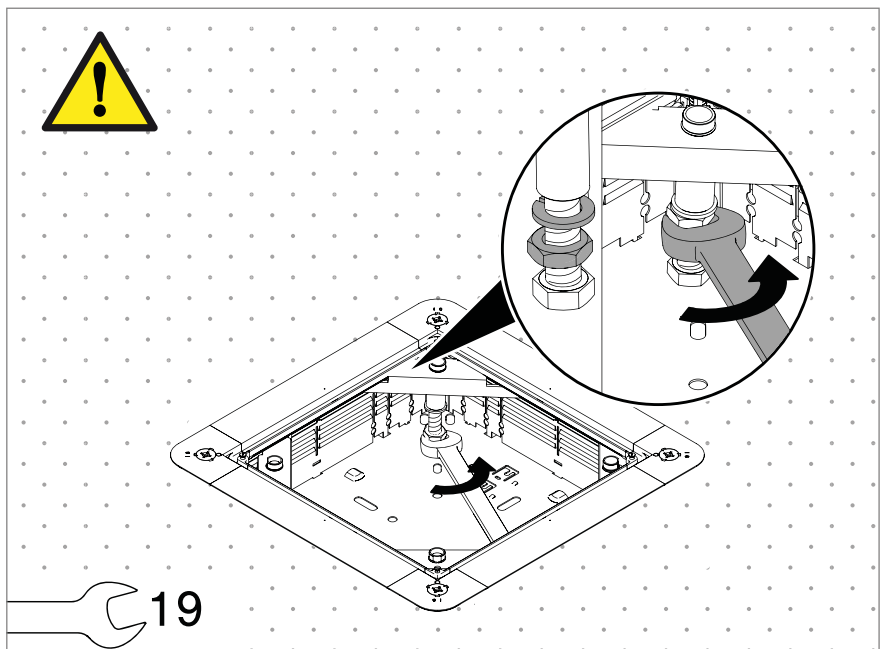


Fig. 7: Adjusting the height of the heavy-duty support

ATTENTION

Risk of damage through insufficient securing!

An insufficiently secured heavy-duty mounting lid leads to product damage!

Secure the heavy-duty mounting protection lid with the locking

nuts.

ATTENTION

Risk of damage through incorrect mounting!

Adjust the height of all 4 heavy-duty supports, so that they are positioned on the floor plate without play!

Otherwise, this will create cavities between the floor plate and the substrate.

4. Secure the heavy-duty support ⑦ with the locking disk and the locking nut.

Note! *As the next step, either the heavy-duty mounting lid or a heavy-duty frame cassette is mounted here.*

5 Mounting the heavy-duty mounting lid/height-adjustment unit

5.1 Mounting height-adjustment units

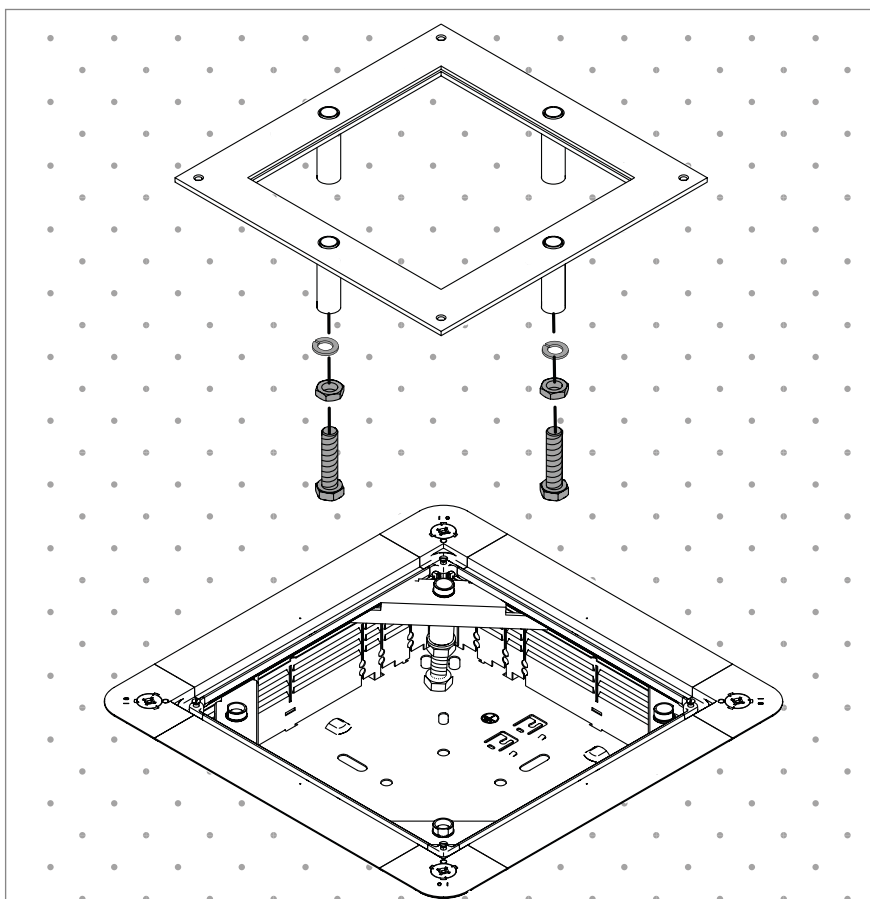


Fig. 8: Mounting the height-adjustment unit

1. Screw the 4 nuts and locking disks to the height-adjustment unit ⑤.
2. Screw the height-adjustment unit ⑤ into the height-adjustment

screws.

5.2 Heavy-duty mounting lid

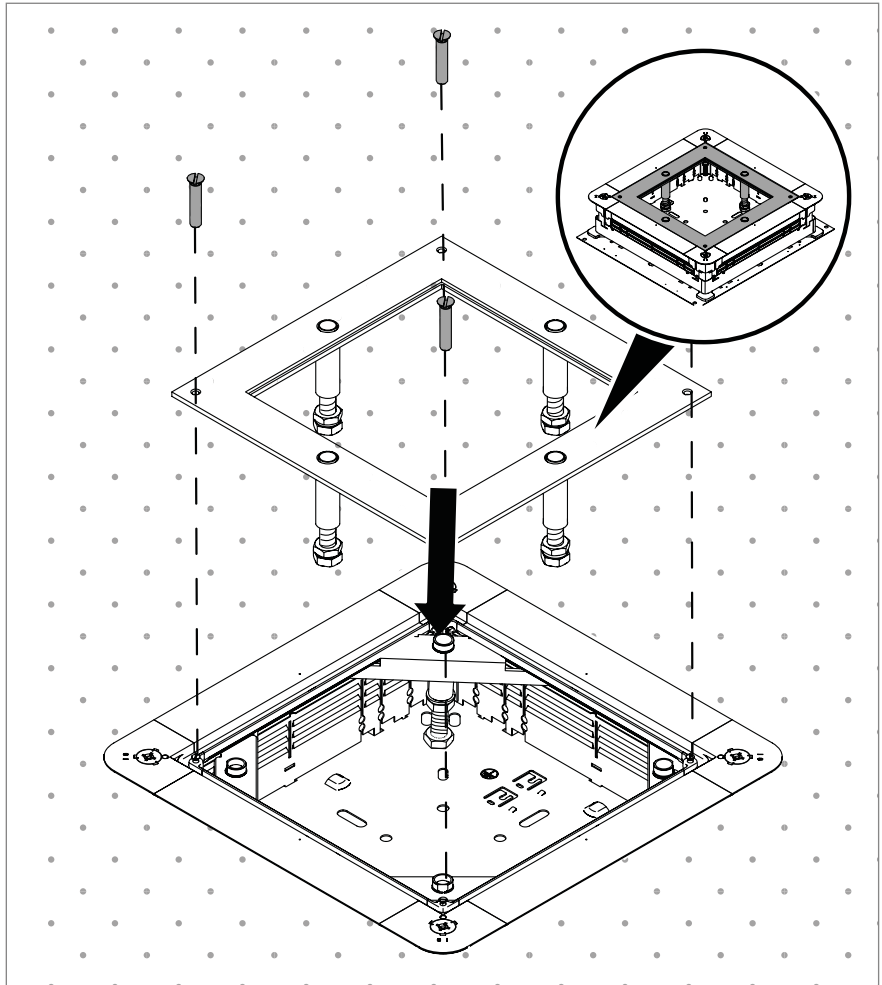


Fig. 9: Inserting the heavy-duty mounting lid

3. Mount the heavy-duty mounting lid ③ with the height-adjustment unit ⑤. For this, use the screws from the mounting protection lid.
4. Apply the floor covering.

ATTENTION

Risk of damage through incorrect mounting!

Adjust the height of all 4 heavy-duty supports, so that they are positioned on the floor plate without play!

Otherwise, this will create cavities between the floor plate and the substrate.

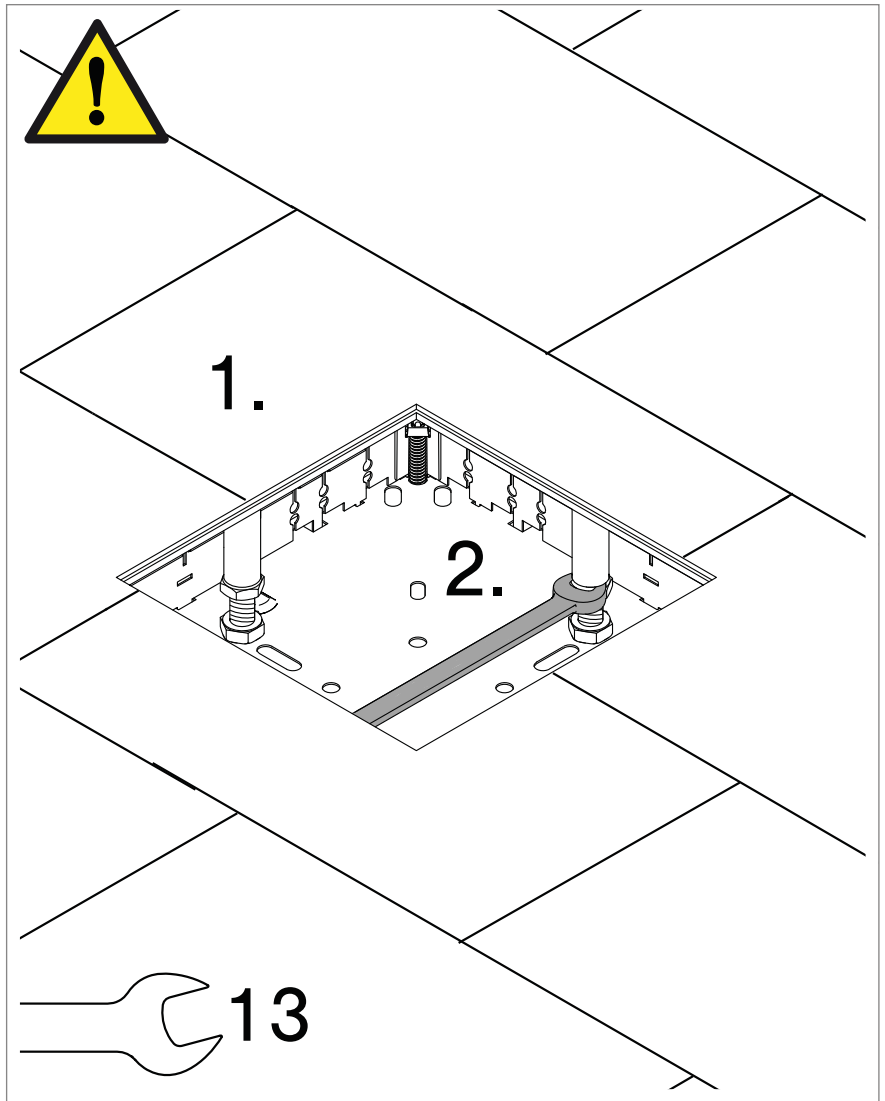


Fig. 10: Securing the heavy-duty mounting lid

ATTENTION

Risk of damage through insufficient securing!

An insufficiently secured heavy-duty mounting lid leads to product damage!

Secure the heavy-duty mounting lid with the locking nuts.

Note!

After application of the floor covering, the height-adjustment units require fine adjustment.

5. Adjust the heavy-duty mounting lid ③ to the height of the floor covering without play.
6. Secure the heavy-duty mounting lid ③ with the 4 locking nuts of the height-adjustment unit ⑤.

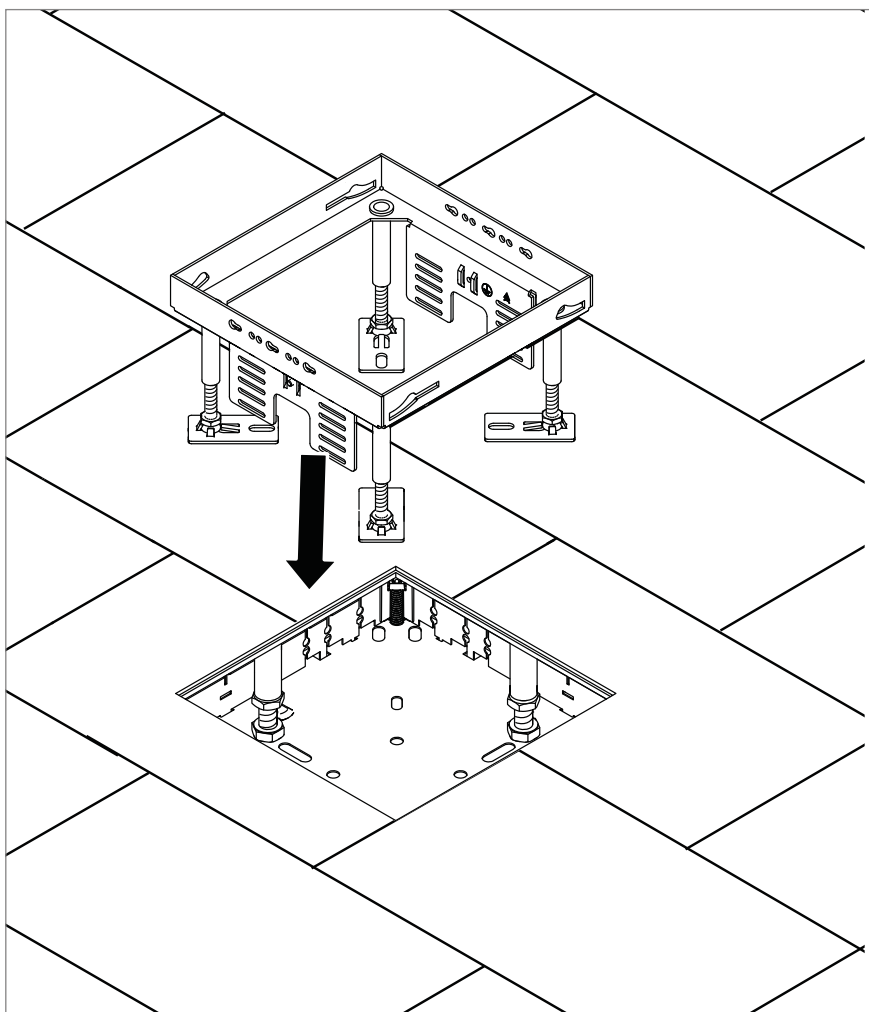


Fig. 11: Mounting the heavy-duty cassette

7. Mount the heavy-duty cassette ①/② as described in these mounting instructions.

6 Mounting heavy-duty cassettes

6.1 Mounting square heavy-duty cassettes

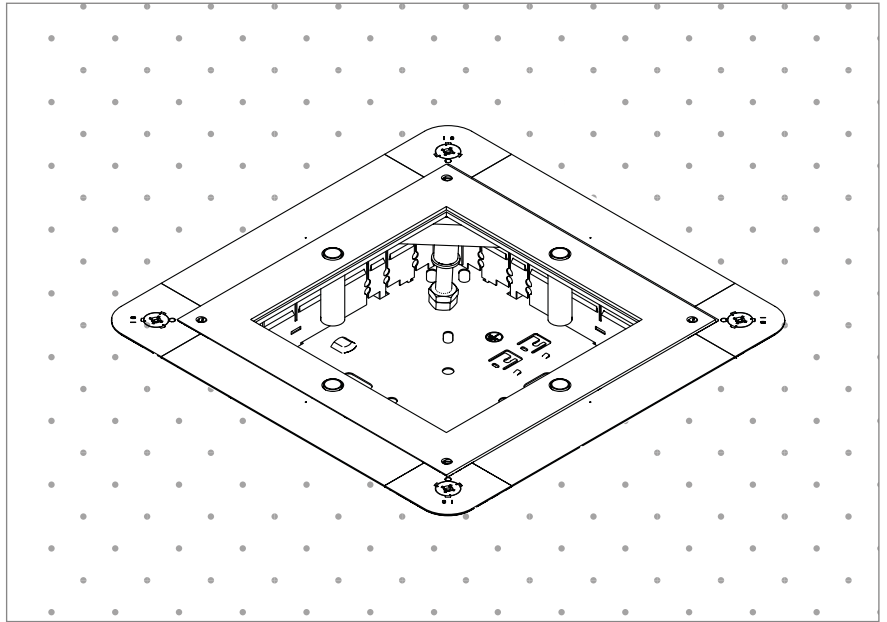


Fig. 12: Preparations for mounting

Note!

When installing the cassettes in a system base, create a square base opening (side length: □ 201/244 mm).

1. To prepare for mounting, the underfloor socket ⑥ must be mounted with the heavy-duty mounting lid ③, the height-adjustment unit ⑤ and the heavy-duty support ⑦.

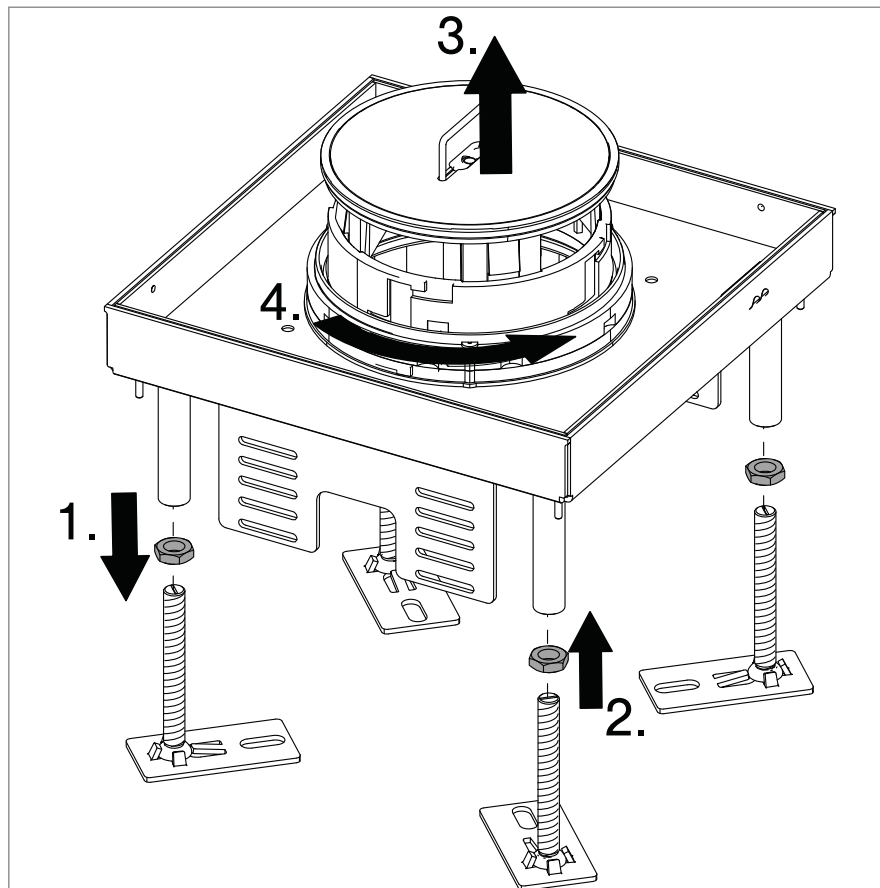


Fig. 13: Preparing the cassette frame

2. Screw the locking nuts ⑮ to the height-adjustment feet ⑭. (1.)
3. Screw the height-adjustment feet ⑭ into the cassette frame ⑬ and turn them inward. (2.)
4. Pull up the handle ⑨/tube body ⑧. (3.)

Note!

For the tube body variant without a handle: Open the tube body with a suction lifter.

5. Lock the cord outlet ⑩/tube body ⑧. (4.)

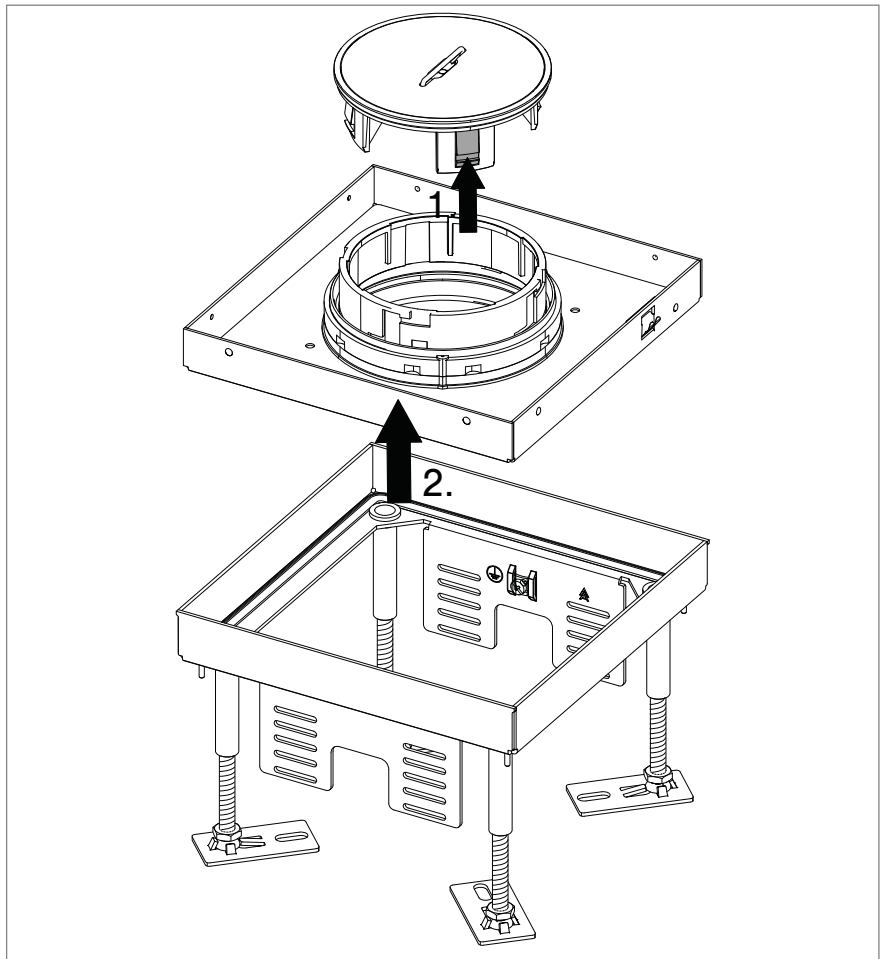


Fig. 14: Opening the tube body

6. Push the opposing locking hooks together and remove the tube body ⑧. (1.)
7. Remove the cassette cover ⑪. (2.)

6.1.1 Mounting the cassette

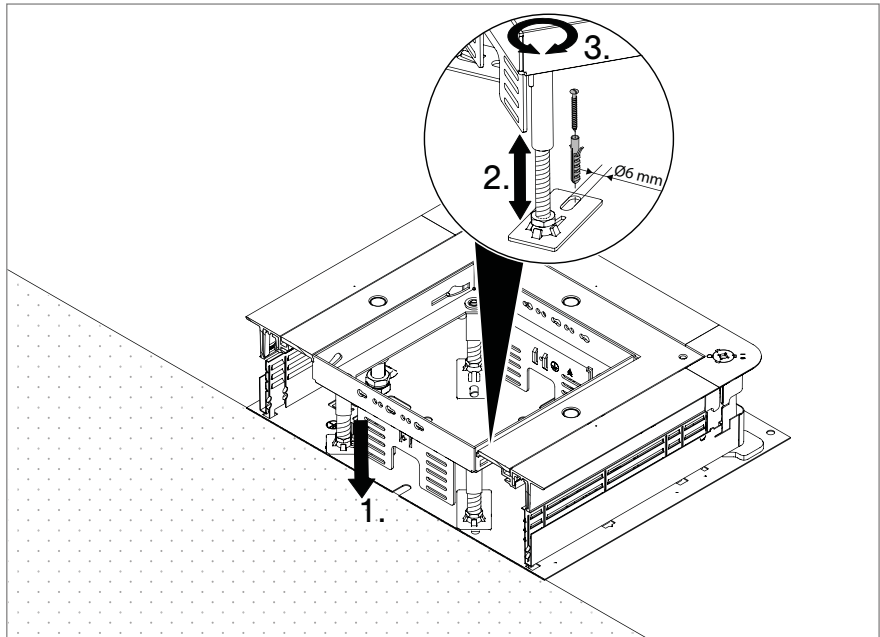


Fig. 15: Inserting the cassette frame

8. Insert the cassette frame ⑬ in the base opening. (1.)
9. Adjust the height of the cassette frame ⑬ to the height of the floor. (2.)
10. Mount the height-adjustment feet ⑭ to the base using the anchor and screw. (3.)

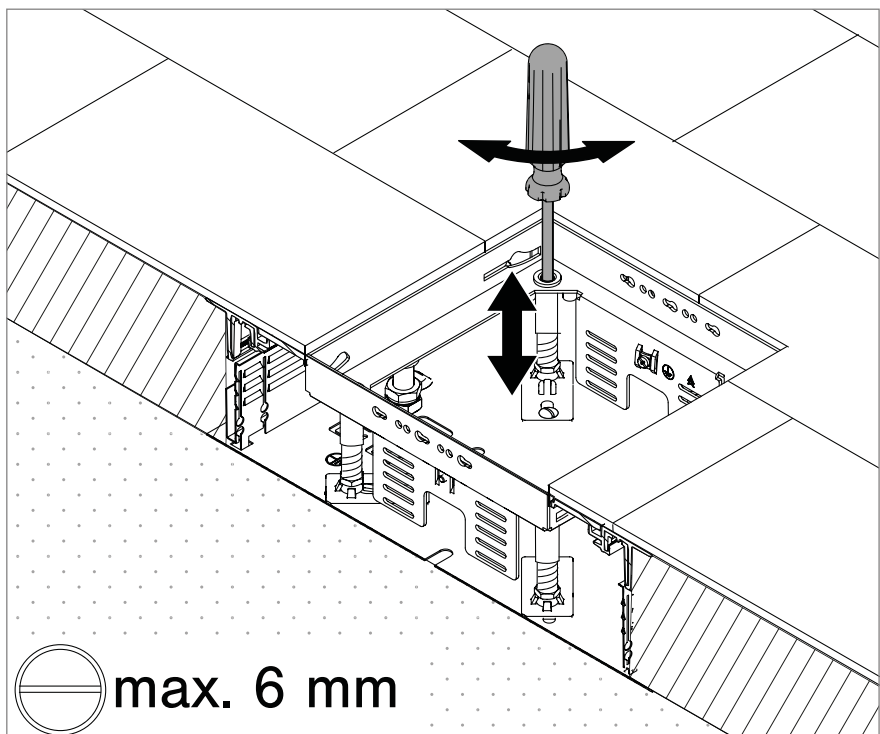


Fig. 16: Adjusting the height of the cassette frame

11. Apply the floor covering, selecting the width of the expansion joint according to the floor covering and the permanently elastic

joint material (approx. 3–5 mm).

12. Adjust the height of the cassette frame ⑬ to the height of the floor covering.

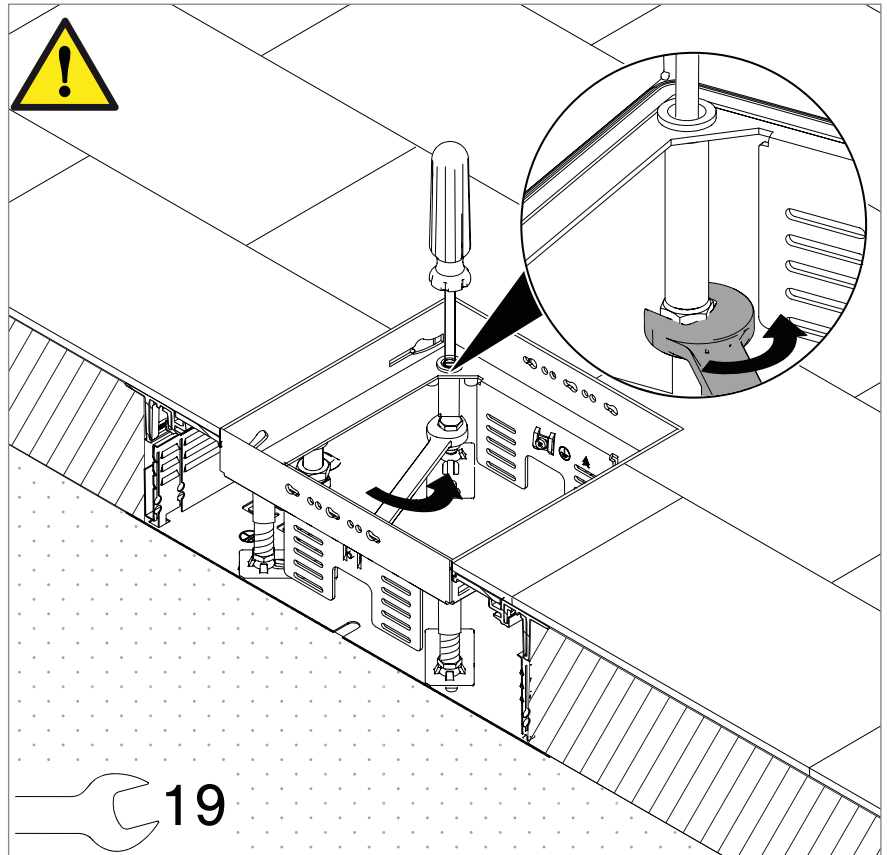


Fig. 17: Securing the cassette frame

ATTENTION

Risk of damage through insufficient securing!

An insufficiently secured cassette will lead to product damage! Secure the cassette frame with the locking nuts. In so doing, use a screwdriver to prevent the height-adjustment sleeves from turning.

13. Secure the cassette frame ⑬ with the 4 locking nuts ⑮.

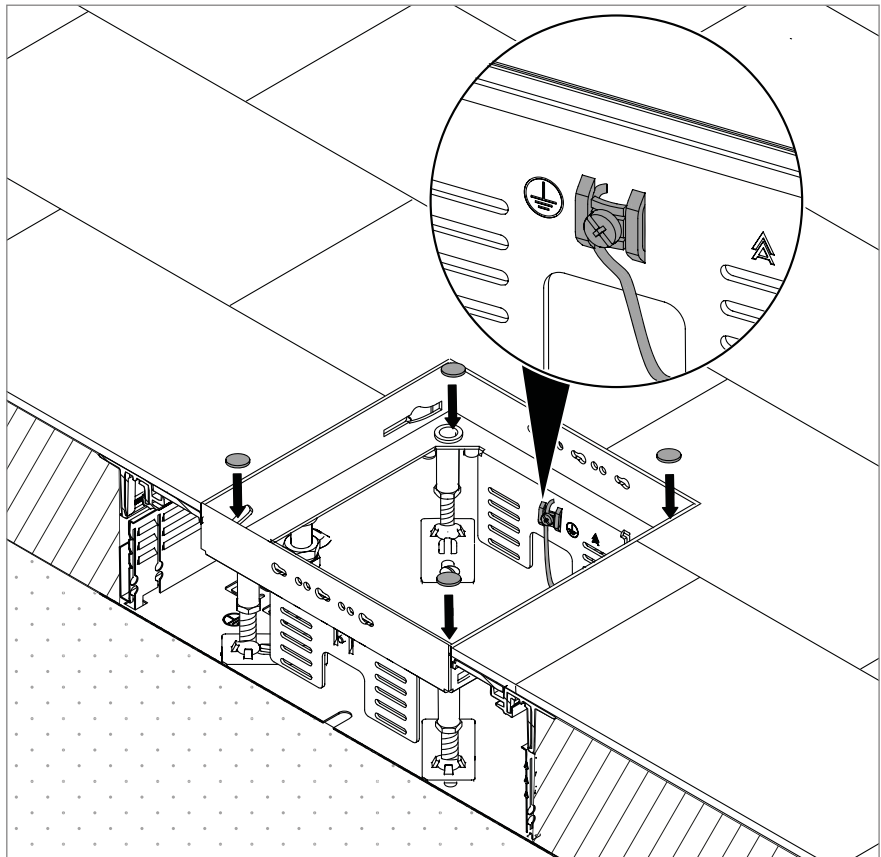


Fig. 18: Creating the earthing connection

Note! *The underfloor socket is earthed separately with the 8AWR earth conductor clamp.*

14. Create the earthing connection ⑫ according to the standard using the clamping combination screw in the cassette.
15. Seal the height-adjustment sleeves with the sealing plugs ⑮.

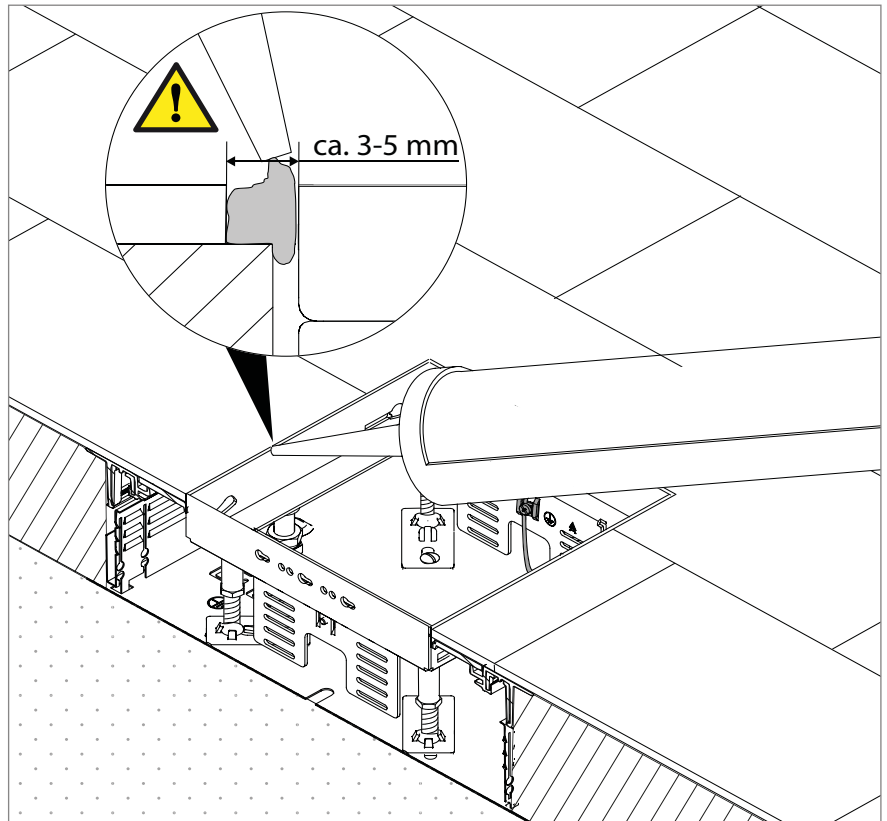


Fig. 19: Working the expansion joint in the base

ATTENTION

Risk of damage through insufficient expansion joint!

An expanding floor covering without a sufficient expansion joint leads to product damage!

Work the floor covering with no tension up to the cassette. To prevent this, fill a sufficient expansion joint with permanently elastic joint material (approx. 3–5 mm).

ATTENTION

Risk of damage from joint material/adhesive!

The ingress of the joint material/adhesive into the cassette can lead to product damage!

Thoroughly clean the interior after floor covering work.

16. Fill the expansion joint in the floor with permanently elastic joint material (approx. 3–5 mm).

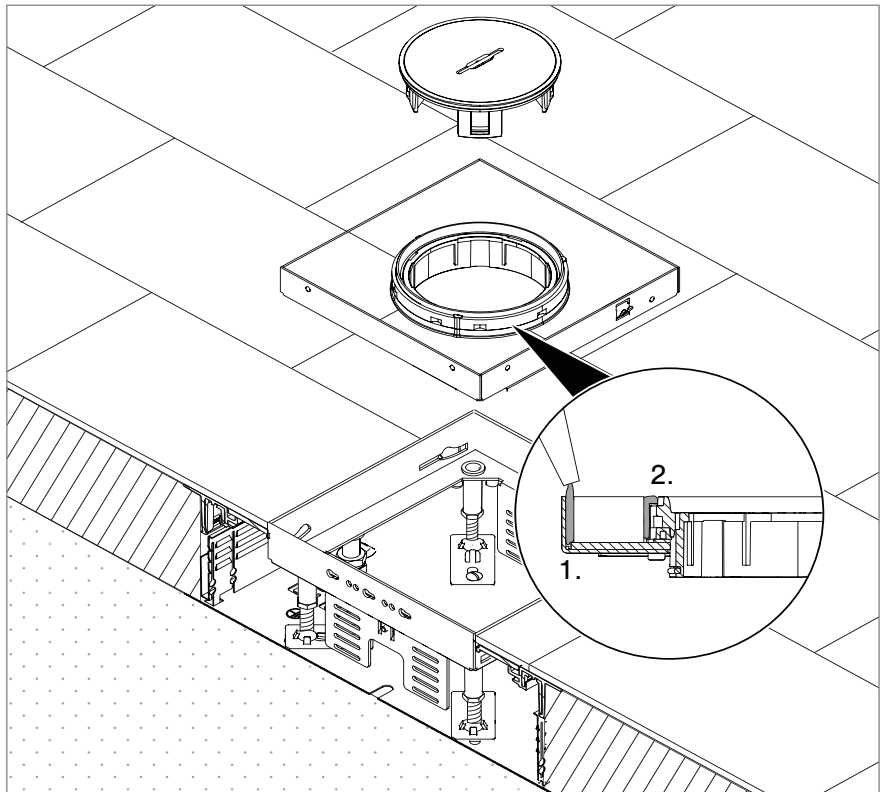


Fig. 20: Working the expansion joint in the cassette cover

17. Fill the expansion joint at the edge with permanently elastic joint material (approx. 3–5 mm). (1.)
18. Fill the expansion joint at the tube body with permanently elastic joint material (approx. 3–5 mm). (2.)

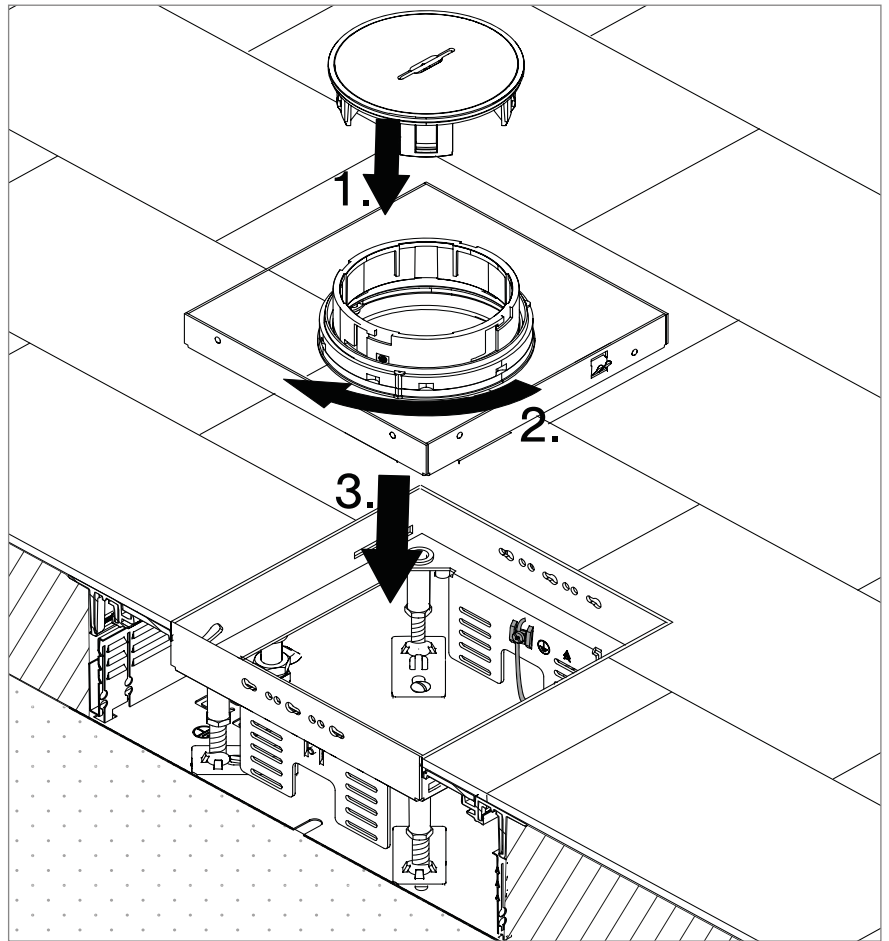


Fig. 21: Inserting the cassette cover

19. Engage the tube body ⑧ in the cable outlet ⑩ and push the opposing locking hooks together. (1.)

ATTENTION

Risk of damage from an unclosed tube body!

The ingress of moisture can lead to product damage!
Close the tube body properly.

20. Turn the cable outlet ⑩, push it down and check that the seals are properly closed. (2.)

21. Close the cassette cover ⑪. (3.)

6.1.2 Maintaining the cassette

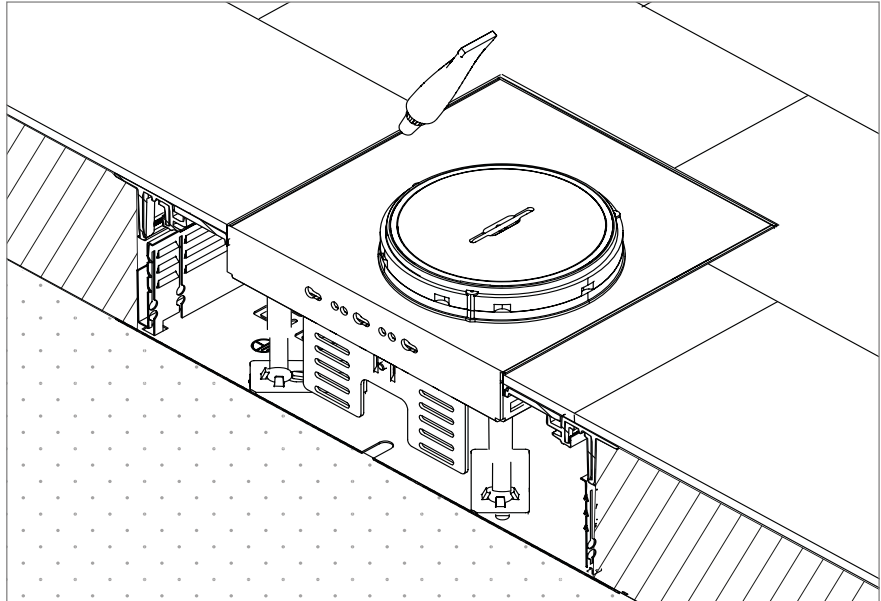


Fig. 22: Maintaining the cassette

ATTENTION

Risk of damage from caustic cleaning agents!

Contact with cleaning agents containing acids/chlorides (e.g. cement residue removers) will cause damage to the product! Should the basic cleaning of the floor be carried out with these cleaning agents, remove the cassette cover during cleaning. Ensure that no moisture can ingress into the cassette.

Should the cassette cover remain in the frame during cleaning, then all the components, including the interior, should be protected against the caustic cleaning agents (e.g. by widespread masking). Should the components come into contact with caustic cleaning agents, then clean them with clear water.

22. Maintain the seal in the cassette frame, the cable outlet ⑩ and tube body ⑧ every 2–3 months with a care agent (item no. 7407110).

6.2 Mounting round heavy-duty cassettes

6.2.1 Preparations for mounting

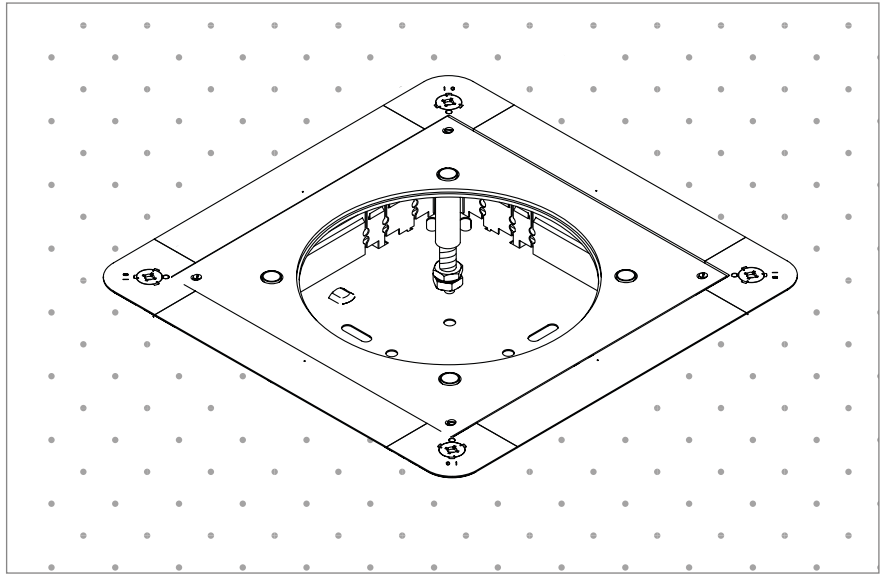


Fig. 23: Preparing the base opening

Note! When installing the cassettes in a system base, create a round base opening (diameter: Ø 215/275/305 mm).

1. To prepare for mounting, the underfloor socket ⑥ must be mounted with the heavy-duty mounting lid ③, the height-adjustment unit ⑤ and the heavy-duty support ⑦.

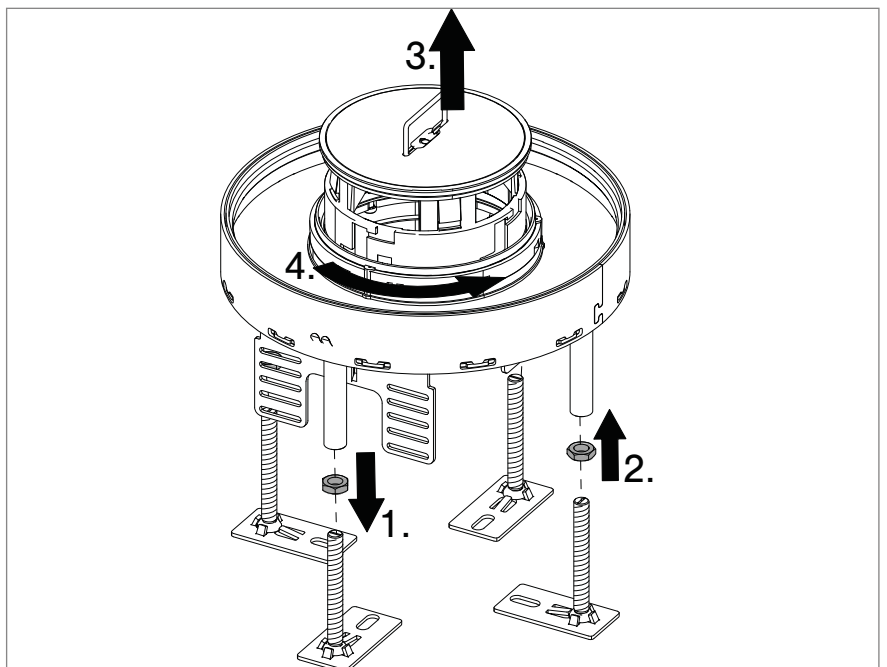


Fig. 24: Preparing the cassette frame

2. Screw the locking nuts ⑮ to the height-adjustment feet ⑭. (1.)
3. Screw the height-adjustment feet ⑭ into the cassette frame ⑬ and turn them inward. (2.)

4. Pull up the handle ⑨/tube body ⑧. (3.)

Note! *For the tube body variant without a handle: Open the tube body with a suction lifter.*

5. Lock the cord outlet ⑩/tube body ⑧. (4.)

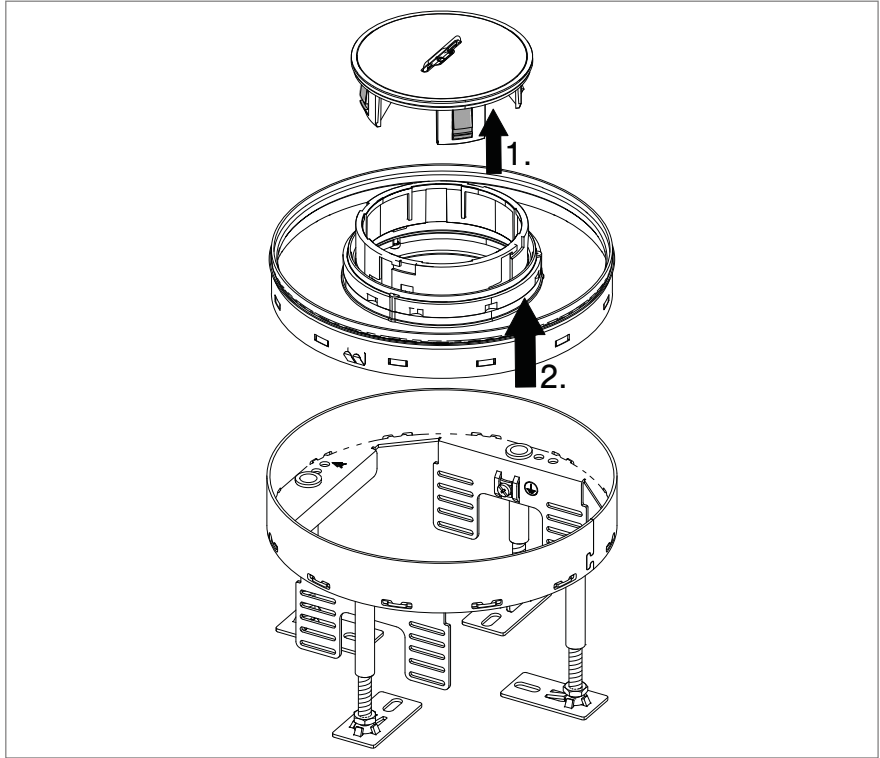


Fig. 25: Opening the tube body

6. Push the opposing locking hooks together and remove the tube body ⑧. (1.)
7. Remove the cassette cover ⑪. (2.)

6.2.2 Mounting the cassette

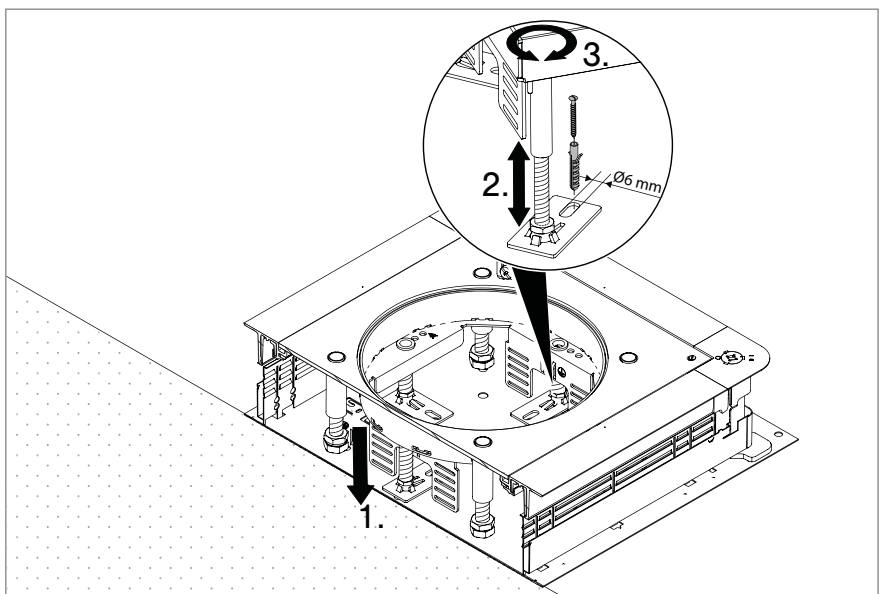


Fig. 26: Inserting the cassette frame

1. Insert the cassette frame ⑬ in the base opening. (1.)
2. Adjust the height of the cassette frame ⑬ to the height of the floor. (2.)
3. Mount the height-adjustment feet ⑭ to the base using the anchor and screw. (3.)

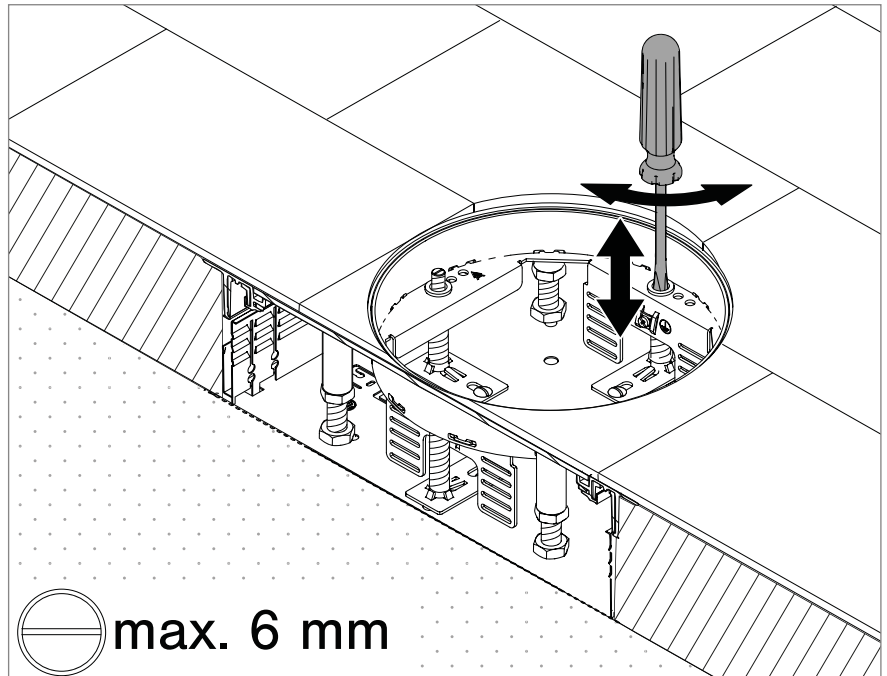


Fig. 27: Adjusting the height of the cassette frame

4. Apply the floor covering, selecting the width of the expansion joint according to the floor covering and the permanently elastic joint material (approx. 3–5 mm).
5. Adjust the height of the cassette frame ⑬ to the height of the floor covering.

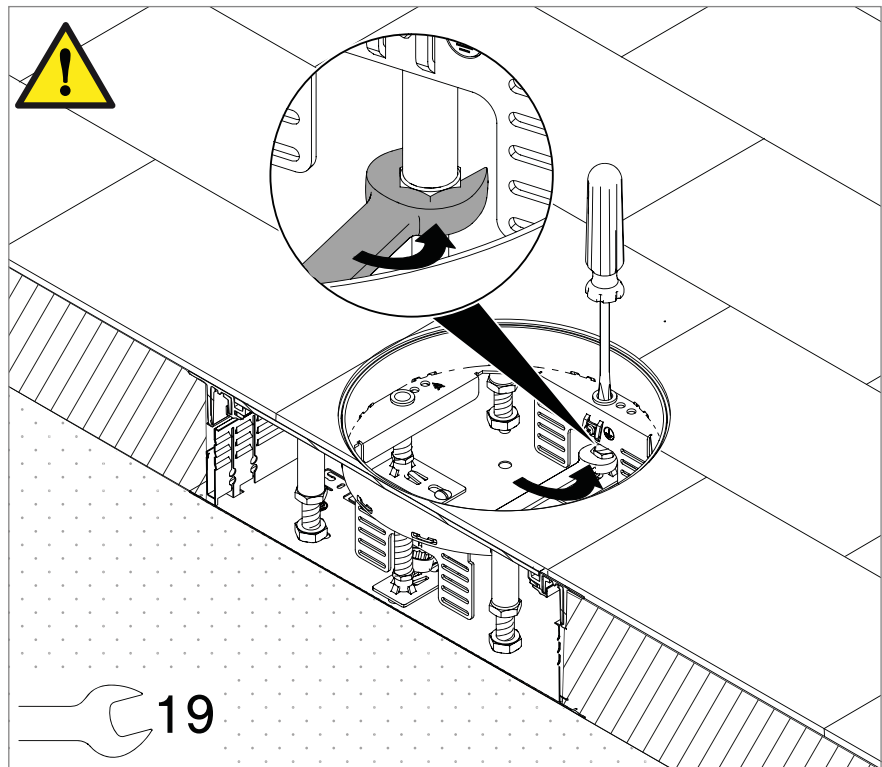


Fig. 28: Securing the cassette frame

ATTENTION

Risk of damage through insufficient securing!

An insufficiently secured cassette will lead to product damage!
Secure the cassette frame with the locking nuts. In so doing, use a screwdriver to prevent the height-adjustment sleeves from turning.

6. Secure the cassette frame ⑬ with the 4 locking nuts ⑮.

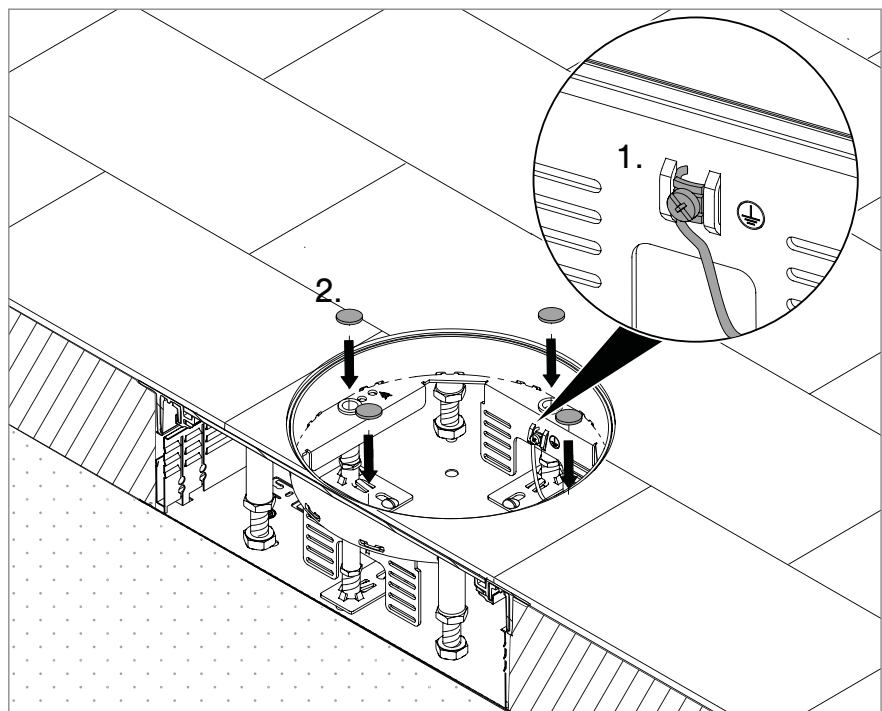


Fig. 29: Creating the earthing connection

7. Create the earthing connection ⑫ according to the standard using the clamping combination screw in the cassette (1.).

Note! *The underfloor socket is earthed separately with the 8AWR earth conductor clamp.*

8. Seal the height-adjustment sleeves with the sealing plugs ⑯ (2.).

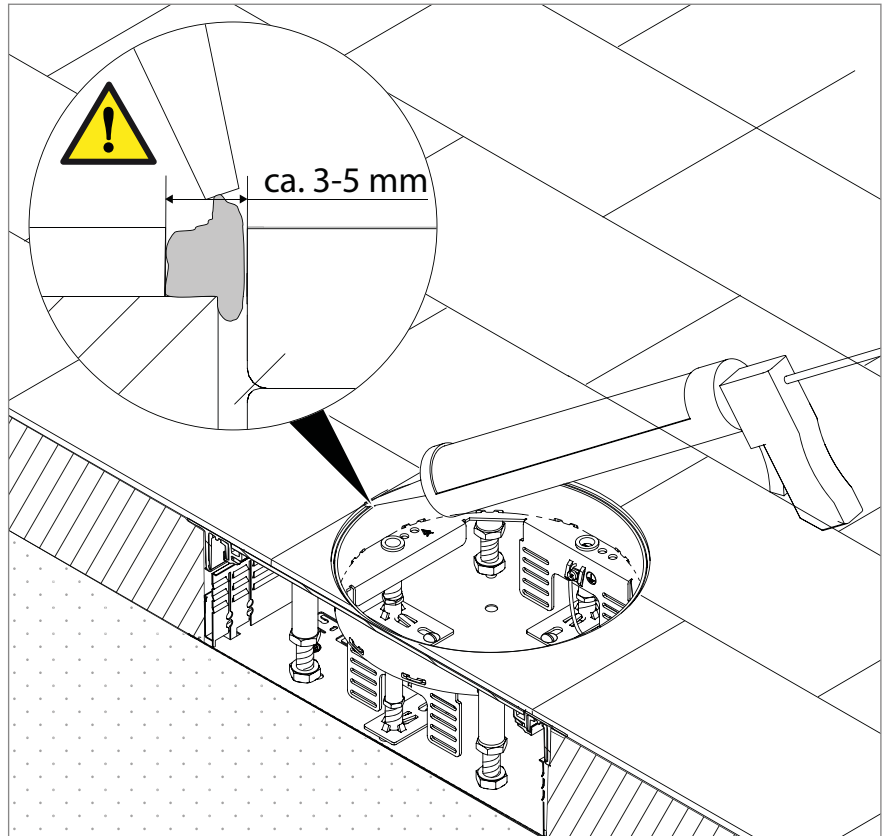


Fig. 30: Working the expansion joint

ATTENTION

Risk of damage through insufficient expansion joint!

An expanding floor covering without a sufficient expansion joint leads to product damage!

Work the floor covering with no tension up to the cassette. To prevent this, fill a sufficient expansion joint with permanently elastic joint material (approx. 3–5 mm).

ATTENTION

Risk of damage from joint material/adhesive!

The ingress of the joint material/adhesive into the cassette can lead to product damage!

Thoroughly clean the interior after floor covering work.

9. Fill the expansion joint in the floor with permanently elastic joint material (approx. 3–5 mm).

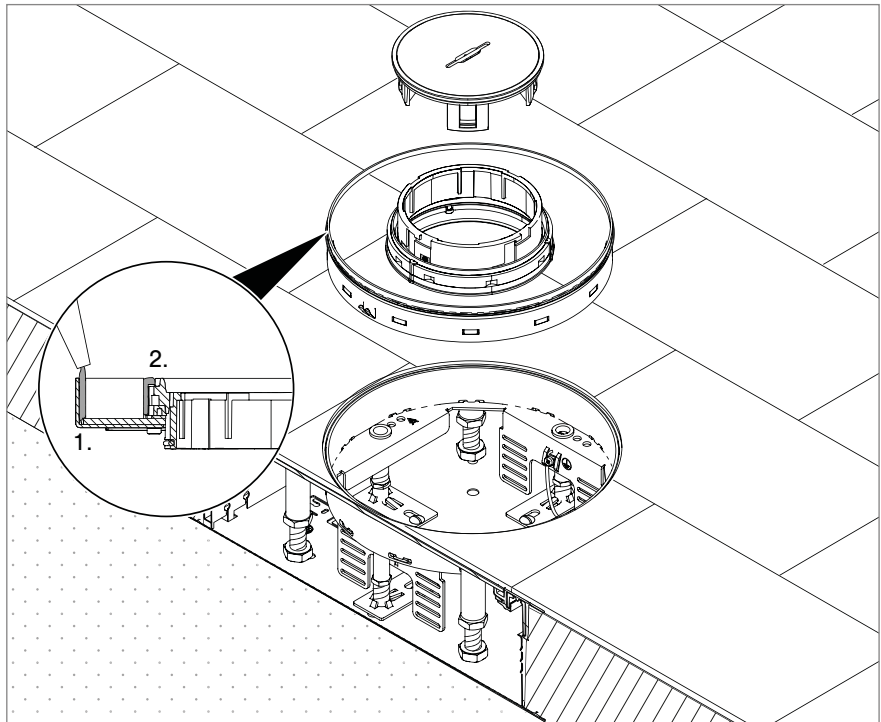


Fig. 31: Working the expansion joint in the cassette cover

10. Fill the expansion joint at the edge with permanently elastic joint material (approx. 3–5 mm).
11. Fill the expansion joint at the tube body with permanently elastic joint material (approx. 3–5 mm).

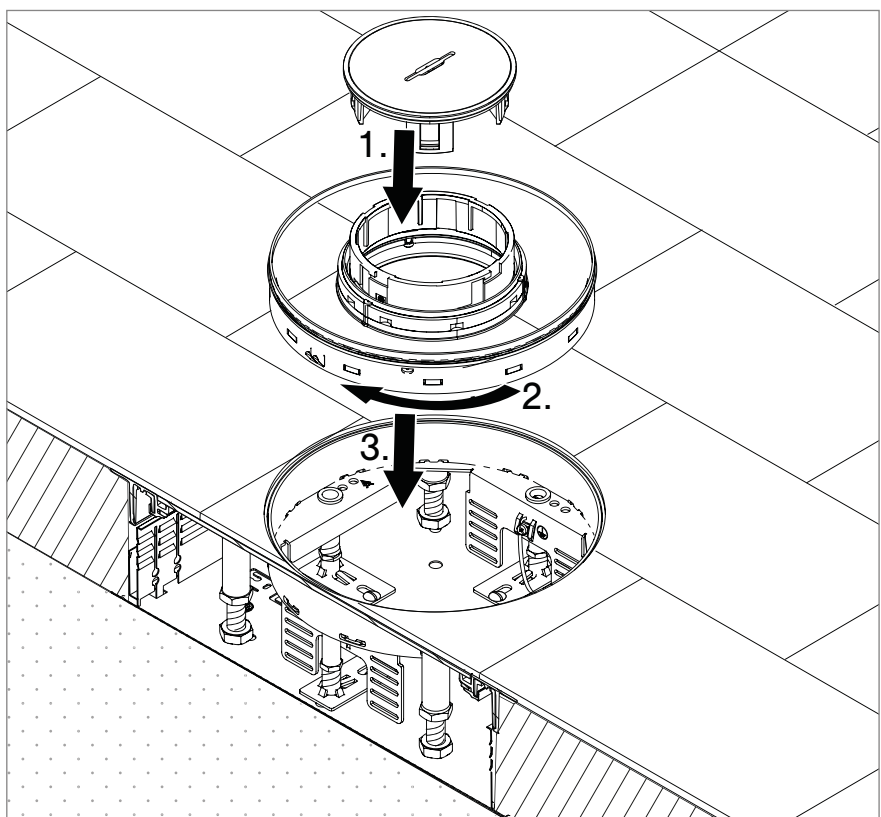


Fig. 32: Inserting the cassette cover

12. Engage the tube body ⑧ in the cable outlet ⑩ and push the opposing locking hooks together. (1.)

ATTENTION

Risk of damage from an unclosed tube body!

The ingress of moisture can lead to product damage!
Close the tube body properly.

13. Turn the cable outlet ⑩, push it down and check that the seals are properly closed. (2.)
14. Close the cassette cover ⑪. (3.)

6.2.3 Maintaining the cassette

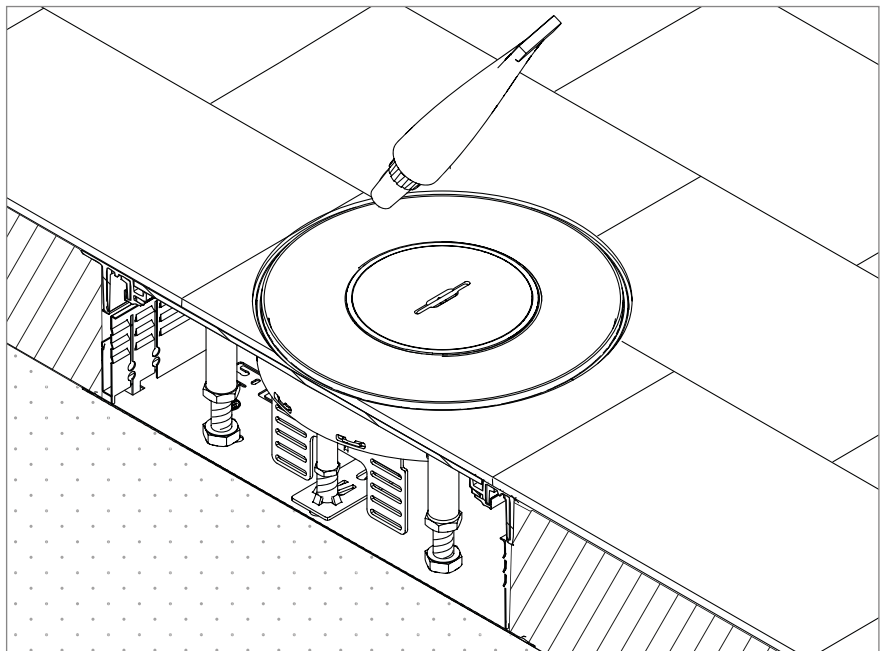


Fig. 33: Maintaining the cassette

ATTENTION

Risk of damage from caustic cleaning agents!

Contact with cleaning agents containing acids/chlorides (e.g. cement residue removers) will cause damage to the product!
Should the basic cleaning of the floor be carried out with these cleaning agents, remove the cassette cover during cleaning. Ensure that no moisture can ingress into the cassette.
Should the cassette cover remain in the frame during cleaning, then all the components, including the interior, should be protected against the caustic cleaning agents (e.g. by widespread masking).
Should the components come into contact with caustic cleaning agents, then clean them with clear water.

15. Maintain the seal in the cassette frame, the cable outlet ⑩ and tube body ⑧ every 2–3 months with a care agent (item no. 7407110).

7 Mounting the heavy-duty frame cassette

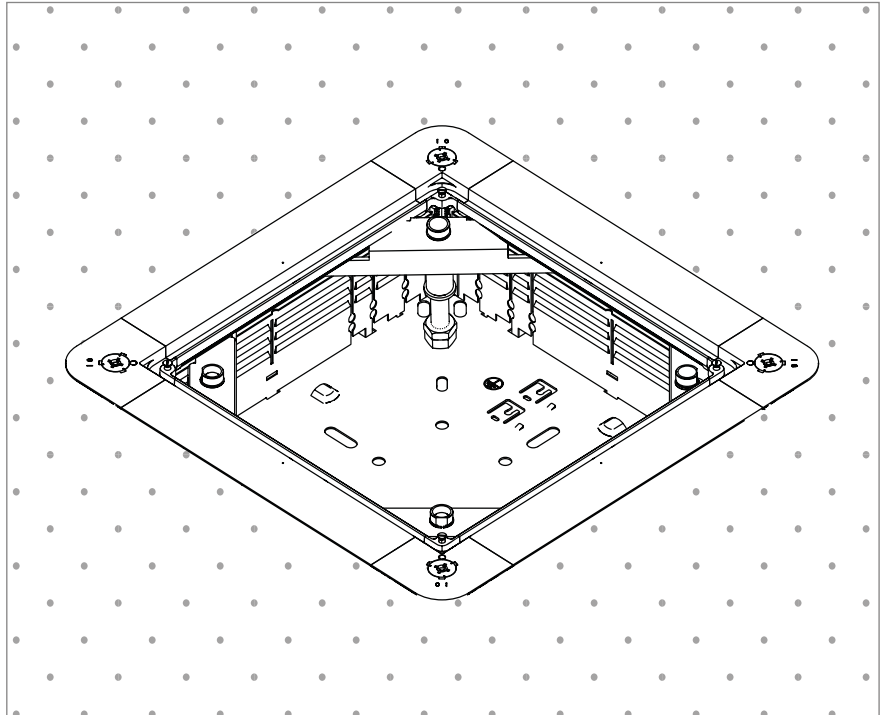


Fig. 34: Mounting the underfloor socket

1. Mount the underfloor socket ⑥ with the heavy-duty support ⑦ as the basis for further mounting.

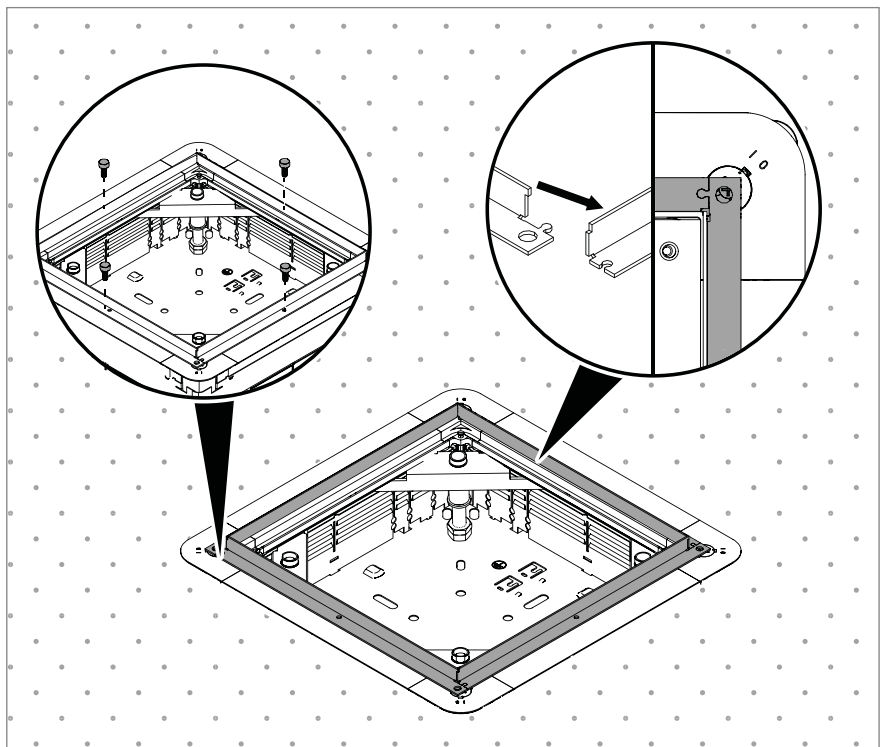


Fig. 35: Mounting the cassette frame profile

2. Pre-drill 4 drill holes (3 mm) in the centre of the edge of the underfloor socket ⑥.
3. Screw the cassette frame profile tight ⑰ in the underfloor socket

⑥ with the 4 supplied metal screws. In so doing, ensure that the cassette frame profile ⑰ is mounted correctly.

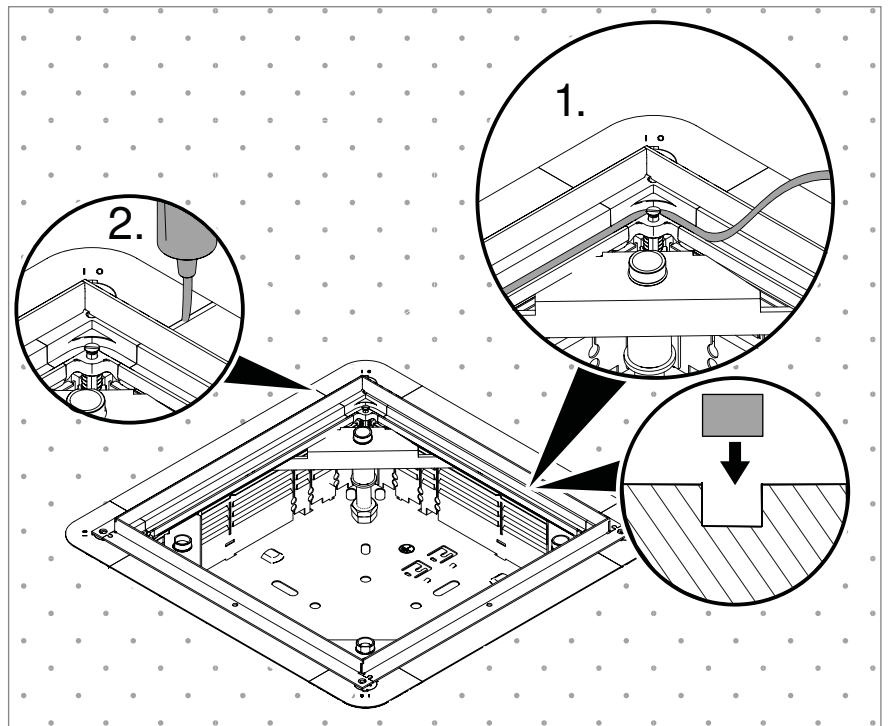


Fig. 36: Inserting the seal

4. Stick the seal ⑱ at the edge of the cassette frame profile ⑰ into the underfloor socket ⑥. (1.)

Note!

Press down the ends of the seal so that the seal is completely closed.

5. Fill the cavity in the corners of the underfloor socket ⑥ with a permanently elastic joint material. (2.)

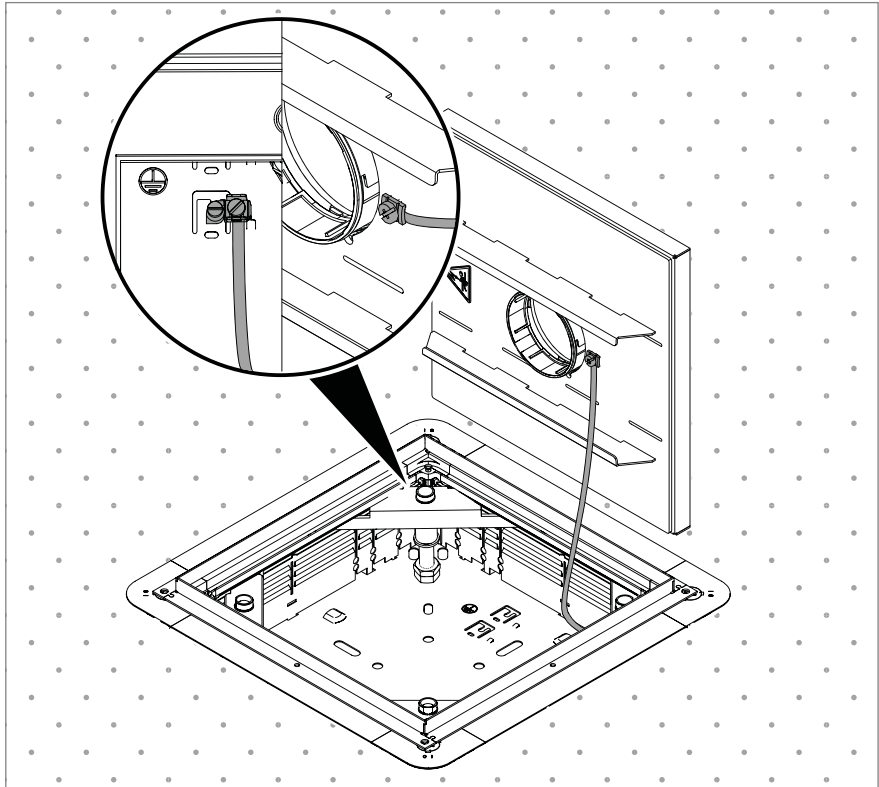


Fig. 37: Creating the earthing connection

6. Connect the heavy-duty frame cassette ④ with an earthing cable and the earth conductor clamp 8AWR in the base of the underfloor socket ⑥.

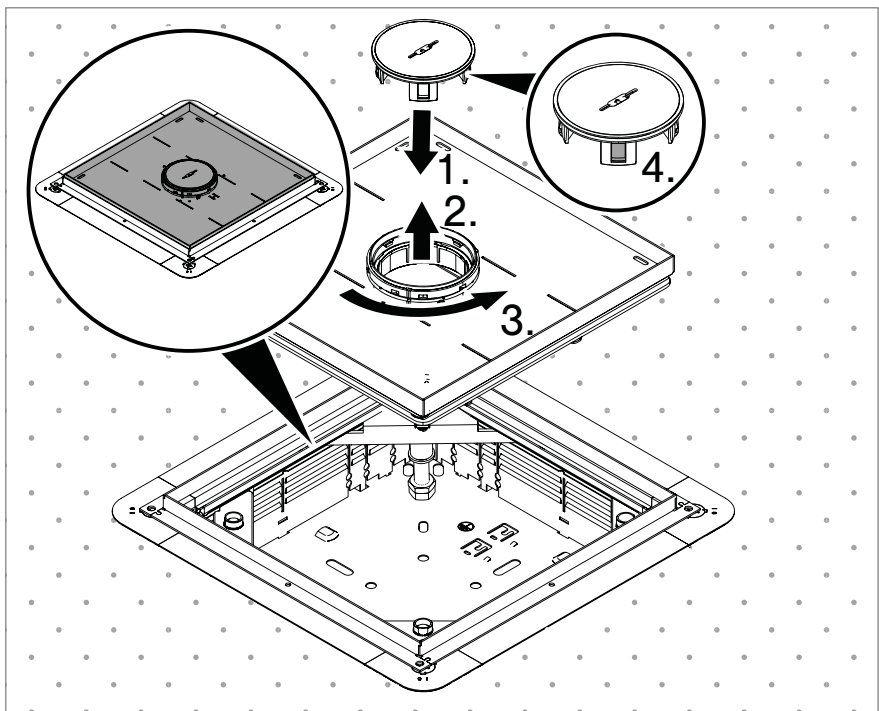


Fig. 38: Inserting the tube body

7. Snap the tube body ⑧ into the cable outlet ⑩ (1.)
8. Pull out the cable outlet ⑩ (2.) and lock it (3.)

9. Push in the cable outlet ⑩ (4.).
10. Push the tube body ⑧ down and check that the seals are properly closed.

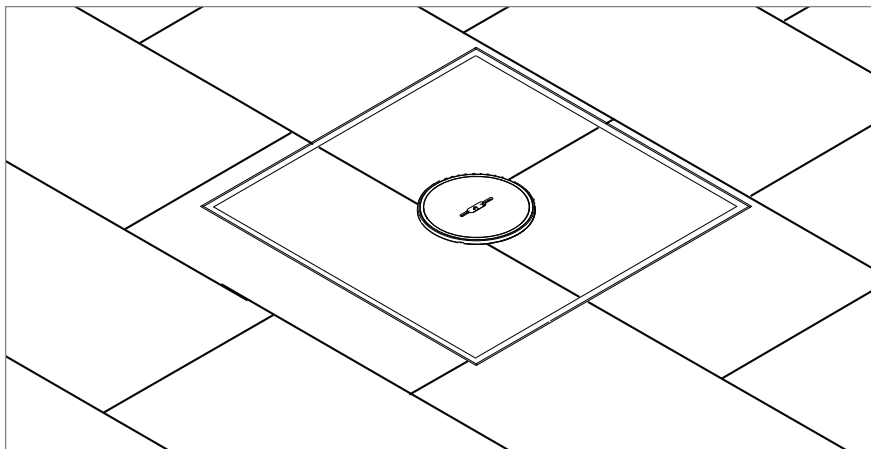


Fig. 39: Applying the floor covering

11. Apply the floor covering, selecting the width of the expansion joint according to the floor covering and the permanently elastic joint material (approx. 3–5 mm).

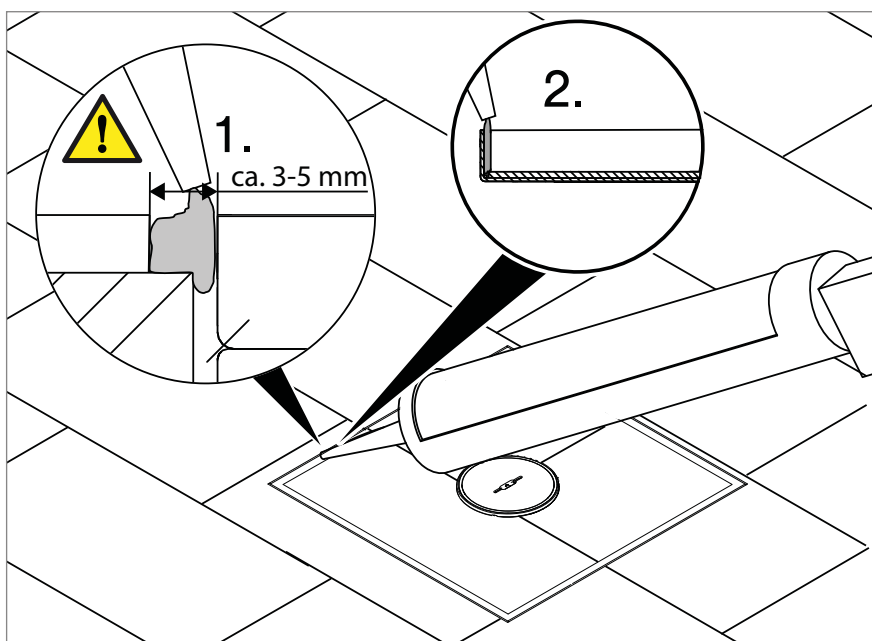


Fig. 40: Working the expansion joint

ATTENTION

Risk of damage through insufficient expansion joint!

An expanding floor covering without a sufficient expansion joint leads to product damage!

Work the floor covering with no tension up to the cassette. To prevent this, fill a sufficient expansion joint with permanently elastic joint material (approx. 3–5 mm).

ATTENTION

Risk of damage from joint material/adhesive!

The ingress of the joint material/adhesive into the cassette can lead to product damage!

Thoroughly clean the interior after floor covering work.

12. Fill the expansion joint between the floor covering and the cassette frame profile ⑰ with permanently elastic joint material (approx. 3–5 mm). (1.)
13. Fill the expansion joint in the frame cassette cover ④ with permanently elastic joint material (approx. 3–5 mm).

Note!

In the variant with tube body, the expansion joint around the tube body must also be filled.

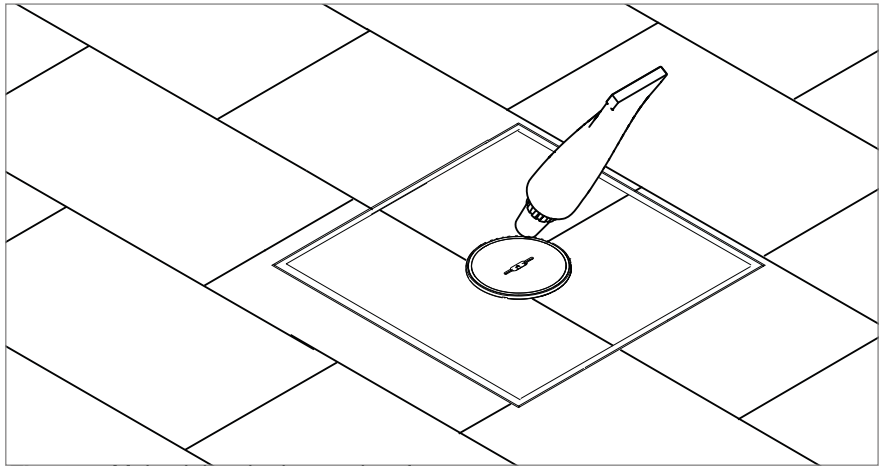


Fig. 41: Maintaining the heavy-duty frame cassette

ATTENTION

Risk of damage from caustic cleaning agents!

Contact with cleaning agents containing acids/chlorides (e.g. cement residue removers) will cause damage to the product! Should the basic cleaning of the base be carried out with these cleaning agents, ensure that no moisture can ingress into the cassette.

Should the interior be equipped before cleaning, then all the components, including the interior, should be protected against the caustic cleaning agents (e.g. by widespread masking).

Should the components come into contact with caustic cleaning agents, then clean them with clear water.

14. Maintain the seal ⑱ in the cassette frame, the cable outlet ⑩ and tube body ③ every 2–3 months with a care agent (item no. 7407110).

8 Dismantling the heavy-duty system

- Dismantle the heavy-duty system in the same way as for mounting.

8.1 Dismantling cassettes

- Break open the seal.
- Remove the fastening of the cassette frame.

- The cassette can be mounted in a different position.

9 Disposing of the heavy-duty system

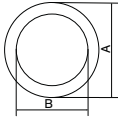
- Packaging as household waste
- Heavy-duty system as scrap metal
- Comply with the local waste disposal regulations

10 Technical data

DSSL heavy-duty support	
Item no.	7410581, 7410583, 7410585, 7410587, 7410589
Material	Steel
Screed height	75 - 230 mm (depending on version)

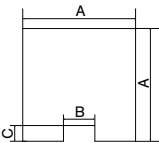
Heavy-duty mounting lid DUG...SL	
Item no.	7401406, 7401404, 7401412, 7401414, 7401416, 7401408, 7401410
Material	Steel
Dimensions	According to the underfloor socket UZD + flush-mount unit

Height-adjustment unit DUG SL...	
Item no.	7409680, 7409682, 7409684, 7409686, 7409688
Material	Steel
Dimensions	75–230 mm (depending on version)

Round cassette RKRSL/RKFRSL													
Item no.	7409072, 7409074, 7409092, 7409094, 7409112, 7409114, 7409462, 7409464, 7409466, 7409468, 7409470, 7409472												
Diameter Nominal size 4 Nominal size 7 Nominal size 9	Ø 214 mm Ø 274 mm Ø 304 mm												
Internal dimensions, cassette cover 	<table border="1"> <thead> <tr> <th>Nominal size</th> <th>A</th> <th>B</th> </tr> </thead> <tbody> <tr> <td>4</td> <td>199</td> <td>122</td> </tr> <tr> <td>7</td> <td>259</td> <td>122</td> </tr> <tr> <td>9</td> <td>289</td> <td>122</td> </tr> </tbody> </table>	Nominal size	A	B	4	199	122	7	259	122	9	289	122
Nominal size	A	B											
4	199	122											
7	259	122											
9	289	122											
Height-adjustment range	+ 45 mm												
Minimum installation depth Nominal size 4 Nominal size 7 Nominal size 9	105/110 mm 105/110 mm 105/110 mm												

Material	Stainless steel
Floor care type	Dry or wet

Square cassette RKS

Item no.	7409008, 7409010, 7409028, 7409030, 7409382, 7409384, 7409388, 7409390												
Side length Nominal size 4 Nominal size 9	199 mm 243 mm												
Lid internal dimensions 	<table border="1"> <thead> <tr> <th>Nominal size</th> <th>A</th> <th>B</th> <th>C</th> </tr> </thead> <tbody> <tr> <td>4</td> <td>190</td> <td>96</td> <td>41</td> </tr> <tr> <td>9</td> <td>234</td> <td>96</td> <td>41</td> </tr> </tbody> </table>	Nominal size	A	B	C	4	190	96	41	9	234	96	41
Nominal size	A	B	C										
4	190	96	41										
9	234	96	41										
Height-adjustment range	+ 45 mm												
Minimum installation depth Nominal size 4 Nominal size 9	105/110 mm 105/110 mm												
Material	Stainless steel												
Floor care type	Dry or wet												

Heavy-duty frame cassette

Item no.	7405892, 7405896, 7405900, 7405908, 7405912, 7405916, 7405920, 7405928, 7405932, 7405936, 7405940, 7405948, 7405952, 7405956, 7405960, 7405968, 7405941, 7409482, 7409484, 7409486, 7409490, 7409502, 7409504, 7409506, 7409510, 7409522, 7409524, 7409526, 7409530, 7409542, 7409544, 7409546, 7409550
Side lengths Nominal size 250 Nominal size 350	288 mm 388 mm
Cassette height Nominal size 250 Nominal size 350	20 mm 40 mm
Floor covering depth Nominal size 250 Nominal size 350	14 mm 34 mm
Material	Stainless steel
Floor care type	Dry or wet

OBO Bettermann Holding GmbH & Co. KG
P.O. Box 1120
58694 Menden
GERMANY

Customer Service Germany
Tel.: +49 (0)2371 7899-2000
Fax: +49 (0)2371 7899-2500
E-mail: info@obo.de

www.obo-bettermann.com

Building Connections